

**MODULAR ABOVEDECK HYDRAULIC DRIVE**

**ROTARY SCREW AIR COMPRESSOR**

**802201-4A1B1**



**BOSS**

*The Difference is Revolutionary™*

## MODULAR ABOVEDECK HYDRAULIC DRIVE ROTARY SCREW SERIES

### FEATURES

The Boss 80201-AHBI advanced design allows you the option to choose any CFM output up to 185 CFM with just one model. By simply adjusting hydraulic flow to the compressor the system will produce up to 185 CFM at 110 PSIG continuously. Now, when you need that extra boost, you have it.

The Boss 80201-AHBI modular unit is fully self-contained and compact. Mounted on its own frame the unit measures only 26" W x 31 1/8" H x 35 1/4" L. The compact design makes mounting possible even in tight spaces.

Installation is simple too. Just bolt the unit to the deck of your vehicle, connect your hydraulic system, wire to a 12V source and it's ready.

### STANDARD EQUIPMENT

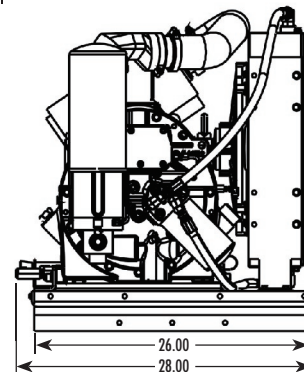
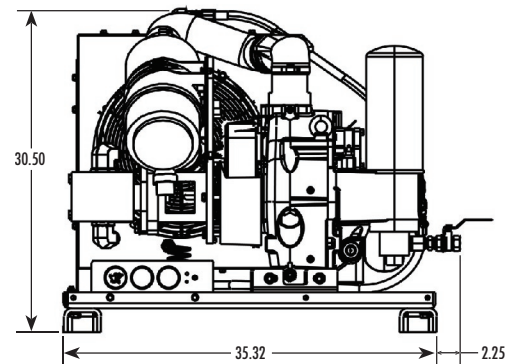
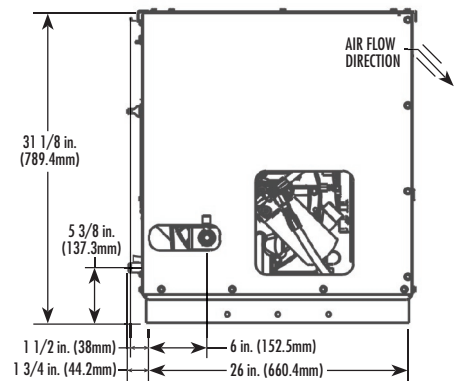
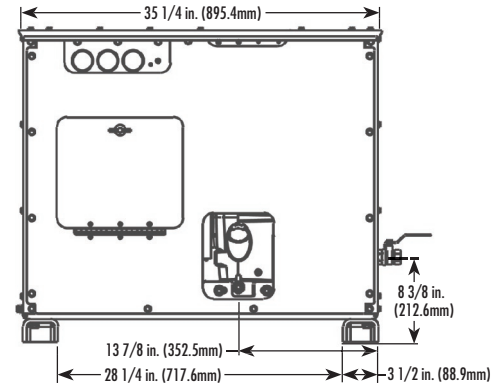
- Boss oil-flooded, rotary screw air end designed to produce up to 185 CFM @ 110 PSIG continuously.
- Two-year warranty air end.
- Self-contained separator element with easy access spin-on housing.
- Hydraulic motor directly coupled to geared air end.
- Integrated receiver tank with filler port and drain valve.
- Remote mount compressor oil cooling package with automatic thermal sensing control to ensure proper operating temperatures.
- Replaceable spin-on compressor lubricant filter with safety bypass and 25-micron rating.
- 14 gauge polished aluminum, rust proof and paintable enclosure.
- Two-stage, dry-type air intake filter with replaceable element and gravity evacuator.
- Instrumentation to include: hour meter, compressor lubricant temperature gauge and air pressure gauge.
- All components are frame mounted, plumbed and wired.
- Safety devices to include: minimum pressure device, compressor lubricant high temperature and high-pressure safety system, automatic blowdown device, high-pressure relief valve and necessary warning and information decals.
- Optional hydraulic system oil cooling packages available upon request. (recommended)

### SPECIFICATIONS

#### 80201-AHBI ROTARY SCREW AIR COMPRESSOR

Delivery @ 110 PSIG*	CFM	80	100	125	160	185
Input Speed RPM to Compressor	RPM	1000	1250	1550	2025	2500
Hydraulic Fluid Required @ 2750 PSIG	GPM	17	22	26	34	43
Fluid Capacity	1.75 Gallons					
<b>Compressor System</b>	<b>(Overall Dimensions)</b>					
Compressor with canopy (standard)	26" W x 31 1/8" H x 35 1/4" L					
Compressor without canopy (optional)	26" W x 30 1/2" H x 35 1/3" L					
Weight (dry) with canopy	600 Pounds					
Weight (dry) without canopy	562 Pounds					

\*125 and 150 PSIG options available. Consult Factory.  
Specifications subject to change without notice.



BOSS INDUSTRIES, INC.

DISTRIBUTED BY: