

# BGB GAS ROTARY SCREW SERIES

# BGB



- For an efficient and economic production tool that utilizes a separate engine and rotary screw booster, turn to the BGB Gas Booster System from BOSS Industries.
- Small, lightweight, portable packages designed for unattended operation, that can easily be transported and installed from wellhead to wellhead with no site preparation.
- Gas production volumes up to 650 MSCFD and discharge pressures up to 220 PSIG.



**BIG ENOUGH TO HANDLE THE TOUGHEST JOBS...**

*SMALL ENOUGH TO BE VERSATILE AND LIGHT WEIGHT!*

**BOSS** <sup>®</sup> *The Difference is Revolutionary™*

# CONTINUOUS POWER FROM THE NAME YOU TRUST

## SPECIFICATIONS

### STANDARD EQUIPMENT

- Separate Engine/Compressor
- Two-Stage Engine Air Filter
- ASME Compressor Gas/Oil Separation Receiver tank
- Full gauge Panel (Tachometer, Engine Coolant Temperature, Compressor Oil Temperature, Ammeter, Hourmeter, Suction and Discharge Pressure)
- Electronic Governor
- Inlet Gas Scrubber with High Liquid Level Shutdown
- Shutdown Switches (Low Engine Oil Pressure, Low Engine Oil Level, High Coolant Temperature, and Compressor Discharge Temperature, Low Inlet and High Discharge Gas Pressure)
- Manual By-pass Valve
- 5.5 Gallon Engine Oil Make-Up System
- Adjustable Hight Hitch

- 12 Volt DC, Heavy Duty Maintenance Free Battery with Remote Battery Jumper Posts
- Trailer Light Package
- All Vessels Protected by Pressure Relief Valves
- Gas After Cooler (10°F Approach)
- Engine Radiator
- Compressor Oil Cooler
- 1 Year Limited Warranty

### AVAILABLE OPTIONS

- ASME Blowcase Scrubber Tank
- Trailer Brakes
- Shutdown Indicators
- Special Paints
- Low Engine Coolant Shutdown
- Automatic Liquid Level Drain on Inlet Scrubber
- Automatic By-Pass Valve
- Oil Field Skid Mounted
- High-Pressure Models Available, up to 220 PSIG



| MODEL                       | BGB 300         | BGB 425         | BGB 700         |
|-----------------------------|-----------------|-----------------|-----------------|
| <b>Production Volumes</b>   | Up to 300 MSCFD | Up to 425 MSCFD | Up to 650 MSCFD |
| <b>Suction Pressure</b>     | 0 to 10 PSIG    | 0 to 10 PSIG    | 0 to 7 PSIG     |
| <b>Discharge Pressure</b>   | Up to 150 PSIG  | Up to 220 PSIG  | Up to 100 PSIG  |
| <b>Gas End Warranty</b>     | 1 Year Limited  | 1 Year Limited  | 1 Year Limited  |
| <b>Engine Model</b>         | GM Vortec 3.0L  | GM Vortec 4.3L  | GM Vortec 5.7L  |
| <b>Engine HP</b>            | 42 Continuous   | 63 Continuous   | 95 Continuous   |
| <b>Engine Idle RPM</b>      | 1400            | 1400            | 1400            |
| <b>Engine Full Load RPM</b> | 2400            | 2400            | 2400            |

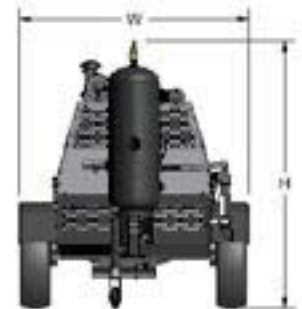
## ADVANTAGES

- No Site Preparation
- High Performance
- Easy Maintenance
- Low Noise Levels

### FOR ALL UNITS CHASSIS:

| Dimensions         | Length | Width | Height | Weight    |
|--------------------|--------|-------|--------|-----------|
| <b>BGB 300/425</b> | 139.5" | 64"   | 78.25" | 2,400 Lbs |
| <b>BGB 700</b>     | 153"   | 64"   | 81.75" | 3,500 Lbs |

| Gas Connection     | Inlet   | Discharge |
|--------------------|---------|-----------|
| <b>BGB 300/425</b> | 3" FNPT | 2" FNPT   |
| <b>BGB 700</b>     | 3" FNPT | 2" FNPT   |



(Subject to change without notice)

**BOSS** *The Difference is Revolutionary™*

**DISTRIBUTED BY:**

**BOSS INDUSTRIES, INC.**