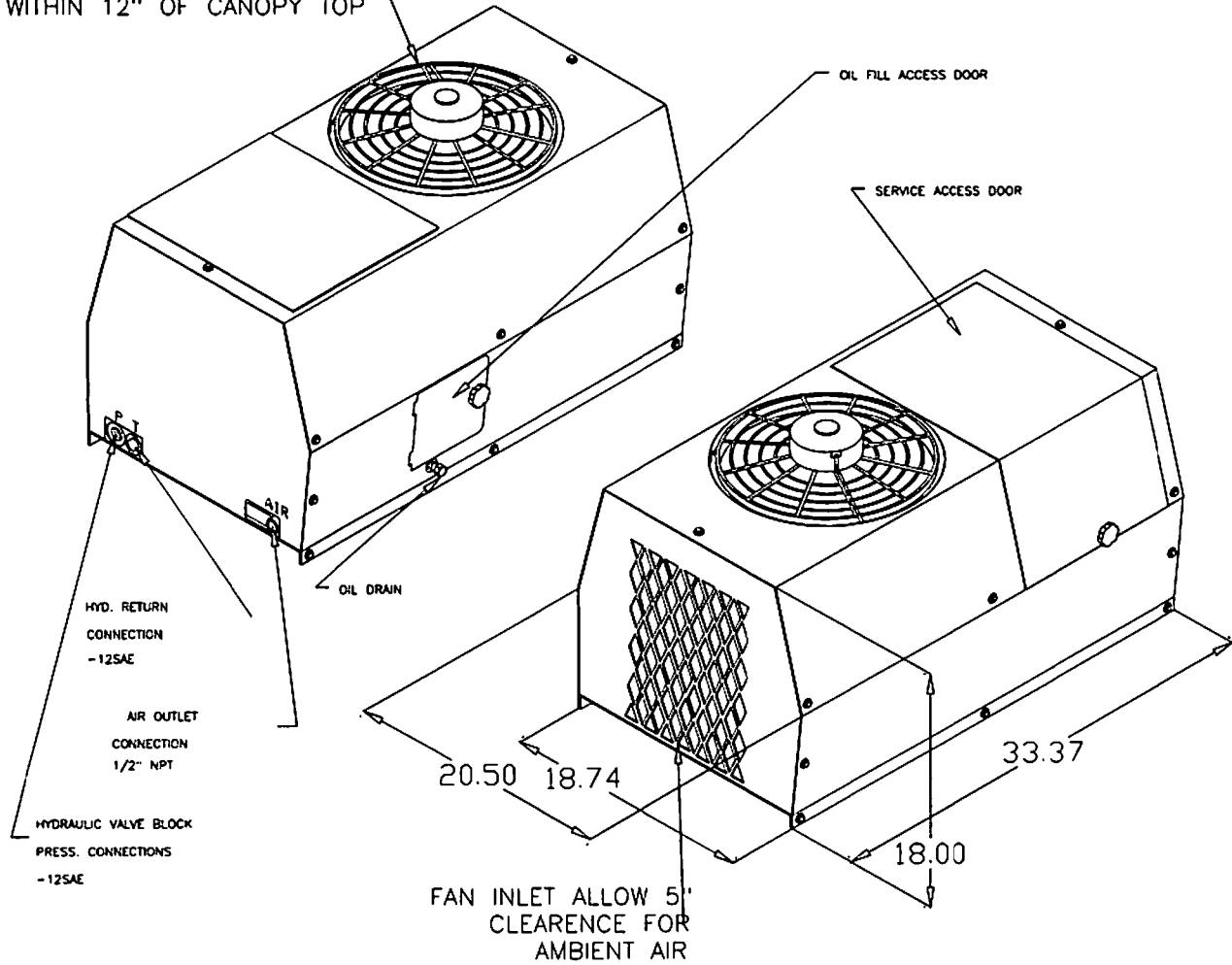


## MINIMUM SPECIFICATIONS FOR SERIES 35 AIR COMPRESSOR

- 35 CFM @ 175 PSI
- 13 GPM @ 2200 PSI (THEORETICAL FLOW AND PRESSURE)
- MINIMUM RESERVOIR SIZE 30 GALLONS
- SERIES 35 SYSTEM IS TO RUN CONTINUOUSLY.
- WHEN SERIES 35 IS INSTALLED WITH OTHER HYDRAULIC DRIVE EQUIPMENT IT WILL REQUIRE A DEDICATED FLOW LINE.
- IF OTHER HYDRAULICS ARE REQUIRED THE RESERVOIR SIZE SHOULD BE 30 GAL PLUS THE OTHER MANUFACTURERS REQUIREMENTS.
- A MINIMUM 3/4" 3000 PSI HIGH PRESSURE FEED HOSE TO THE VALVE BLOCK IS REQUIRED.
- A MINIMUM 3/4" 1000 PSI MEDIUM PRESSURE RETURN HOSE TO THE HYDRAULIC SYSTEM IS REQUIRED.
- 200 PSI 3/4" AIR FEED DOWN STREAM OF SERIES 35 AIR OUT IS REQUIRED.
- 12 VDC ELECTRICAL REQUIREMENTS:
  - SUPPLY BATTERY +12 VDC
  - SUPPLY BATTERY -12 VDC
  - SUPPLY BATTERY +12 VDC SWITCHED
  - 12 VDC OUTPUT DURING COMPRESSOR OPERATION
- MOUNTING SURFACE MUST BE CAPABLE OF 250 LB LOAD SPREAD OVER THE FOUR MOUNTING HOLES. OVERALL PACKAGE DIMENSIONS 21.00" WIDE X 19.0" HIGH X 34.0" LONG. ALLOW ROOM FOR AIR AND HYDRAULIC CONNECTIONS.
- COOLING AIR INTAKE MUST NOT SEE AIR TEMPERATURES ABOVE AMBIENT.
- COOLING AIR DISCHARGE MUST HAVE 10" CLEARANCE FROM ANY OBSTRUCTIONS.
- AMBIENT RUNNING CONDITIONS: -20 TO 120 DEG-F.
- 10 DEG. MAXIMUM OPERATING SLOPE.

# BOSS 35 - 175 ROTARY SCREW COMPRESSOR SPECIFICATIONS

FAN EXHAUST, DO NOT  
BLOCK OR HAVE RESTRICTION  
WITHIN 12" OF CANOPY TOP



<b>Delivery @ 100 PSIG</b>	CFM	20	25	30	40
<b>Input Speed RPM to Compressor</b>	RPM	1925	2325	2825	3200
<b>Hydraulic Flow @ 1600 PSI</b>	GPM	7.4	9	10.9	12.3
<b>Delivery @ 150 PSIG</b>	CFM	20	25	30	35
<b>Input Speed RPM to Compressor</b>	RPM	1950	2400	2875	3312
<b>Hydraulic Flow @ 2100 PSI</b>	GPM	7.5	9.2	11.1	12.8
<b>Delivery @ 175 PSIG</b>	CFM	20	25	30	32
<b>Input Speed RPM to Compressor</b>	RPM	2025	2475	2937	3400
<b>Hydraulic Flow @ 2200 PSI</b>	GPM	7.8	9.5	11.3	13.1