

The image features a large, stylized logo for 'weather guard' in red lowercase letters on a white background with a red border. The logo is set against a background of a diamond-plate metal surface. Below the logo, a red pickup truck is shown with its bed equipped with a silver metal rack system. A white toolbox is open, revealing various tools inside. The text 'SECURE BY DESIGN™' is written in white on a red background to the right of the toolbox. In the bottom right corner, the words 'TRUCK EQUIPMENT' are written in large, bold, red capital letters, with 'For Pickup and Flatbed Trucks' written in white below it.

weather guard

SECURE BY DESIGN™

**TRUCK
EQUIPMENT**

**For Pickup and
Flatbed Trucks**



WEATHER GUARD® Products are manufactured by Knaack Manufacturing Company, a leading producer of tool and equipment products, which was founded in 1960 and is located in the Fox River Valley 50 miles northwest of Chicago. We are positioned well to serve the needs of our many customers, no matter where they may be located.

Our 45 years of experience doing business with the contractor trades has helped us develop a deep understanding of the needs and expectations of the person who makes his living working out of a tool box. WEATHER GUARD® Equipment is designed and built using the best materials available and utilizing the latest technologies in order to create a superior product that the professional tradesman can depend on.

Looking for a fast easy solution to upfitting your work vehicle?



VEHICLE SOLUTIONS

Vehicle upfitting is now easier than ever with this new interactive design tool. Go to www.weatherguard.com and give it a try.



For more information contact your local WEATHER GUARD Distributor or call: 1-800-456-7865

Table Of Contents

- Steel & Aluminum Truck Boxes..... 4-7
- Application Guide 8-9
- Aluminum Hi-Side Boxes 10-11
- Steel Hi-Side Boxes 12-13
- Aluminum Underbed Boxes..... 14-15
- Steel Underbed Boxes 16-17
- Truck Box Accessories18
- Hi-Side Accessories.....19
- Strong Box19
- ATR™ Aluminum Truck Racks..... 20-21
- FAST RACK® System Truck Racks.....22-23
- Steel Truck Racks & Accessories24-27
- WEEKENDER® Ladder Racks..... 28
- Service Body Racks..... 29
- PROTECT-A-RAIL® Cab Protectors.....30-31
- PACK RAT® Drawer Units32-33
- BED RAT® Sliding Platform 34
- Transfer Tanks..... 35

NEW! Low-Profile Aluminum Truck Box **WHEN YOU NEED GREATER REAR WINDOW VISIBILITY**

HIGH STRENGTH
SECURITY
DURABILITY

LOW-PROFILE →

This new aluminum saddle box has all the great WEATHER GUARD® features and greater rear window visibility.

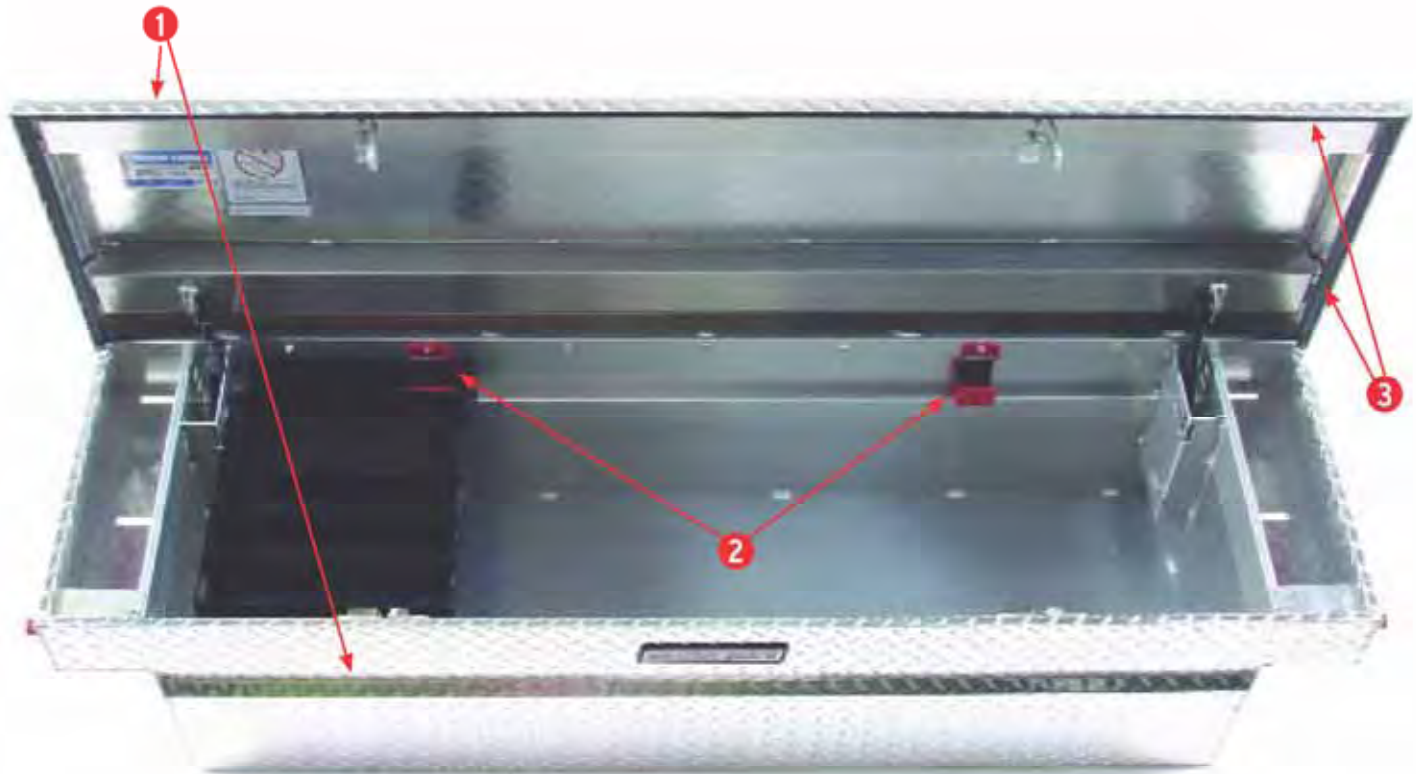


- **Strongest and most durable Low-Profile in the Industry**
- **Greater Visibility, Especially in Trucks with Higher Bed Rails**



TOUGH AS EVER. Loaded with new tricks.

ALL NEW FEATURES FOR BOTH STEEL AND ALUMINUM BOXES



- ① New cover and body channel for distinguished look
- ② Level storage secures 48" level
- ③ Full weather seal



90° cover opening for easy access



Crimp-free/drill-free install mounting brackets



- 4** EXTREME PROTECTION™ Lock
 - Protects against break-ins
 - Tamper-resistant retracting lock
- 5** 12V access
 - Electrical up-fits
- 6** Automotive style latch
 - Smooth "one touch" opening
- 7** Latch linkage protection
- 8** Additional features
 - Reduced clearance cover
 - Increased warranty



READY FOR WORK.

**No matter what size or
model you choose.**

READY FOR WORK. No matter what size or model you choose.

Saddle Boxes



Cross Boxes



Super-Lo Boxes/
Lo-Side Boxes



Pork Chop Boxes



ACCESSORIES



Soft-Side Tool Bag SKU #7747
Box Liner - 28" SKU #7826
Box Liner - 20" SKU #7827

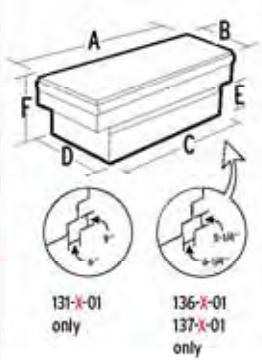
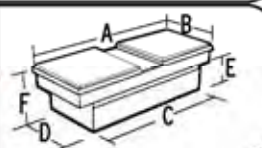
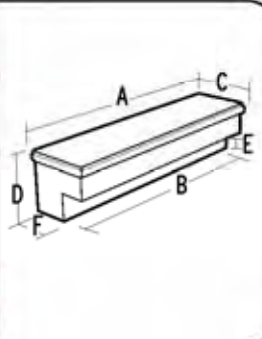
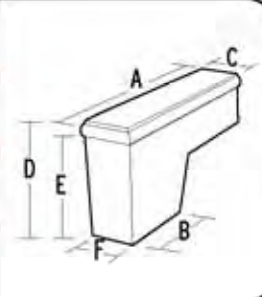
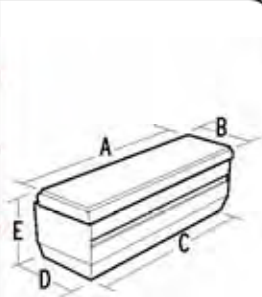
All-Purpose Chests



Steel Divider Tray now included in All-Purpose Chests (except 644/645)

	Application	Aluminum Model#
SADDLE BOX	Full Size-Extra Wide	117-X-01
		-
	Full Size-Extra Deep	123-X-01
		-
	Full Size Standard	127-X-01
		-
		147-X-01
CROSS BOX	Full Size Low-Profile	121-X-01
	Compact-Deep	137-X-01
		-
	Compact Standard	154-X-01
		-
	Compact Low-Profile	131-X-01
		-
LO-SIDE BOX	Full Size Extra Wide	114-X-01
		-
	Full Size-Standard	124-X-01
	-	
SUPER-LO	Long	164-X-01
		-
	Standard	174-X-01
	-	
PORK CHOP BOX	Short	184-X-01
		-
	Long-Extra Wide/Deep	-
	-	
	Standard-Extra Wide/Deep	-
	-	
	Short-Extra Wide/Deep	-
	-	
ALL-PURPOSE CHEST	Driver Side-Standard	170-X-01
		-
	Passenger Side-Standard	171-X-01
		-
	Driver Side-Wide	172-X-01
	-	
	Passenger Side-Wide	173-X-01
	-	
	Compact	644-X-01
	-	
	Full/Compact	654-X-01
	-	
	Full Size-Standard	664-X-01
	-	
	Full/Compact	674-X-01
	-	
	Full Size-Extra Wide	684-X-01
	-	

THE ALL NEW TRUCK BOX SERIES

Steel Model #	Dimension (inches)						Cubic Ft.	Ship Wt. Lbs.	
	A	B	C	D	E	F			
-	71-1/2	27-1/2	60	27-1/4	11-1/4	18-1/2	15.3	101	 <p>131-X-01 only 136-X-01 137-X-01 only</p>
116-X-01	71-1/2	27-1/2	60	27-1/4	11-1/4	18-1/2	15.3	157	
-	71-1/2	20-1/4	60	19-3/4	17-1/4	24	15.1	94	
128-X-01	71-1/2	20-1/4	60	19-3/4	17-1/4	24	15.1	148	
-	71-1/2	20-1/4	60	19-3/4	11-1/4	18-1/2	11.3	84	
126-X-01	71-1/2	20-1/4	60	19-3/4	11-1/4	18-1/2	11.3	130	
-	68-1/2	20-1/4	56-1/2	19-3/4	11-1/4	18-1/2	10.6	84	
-	71-1/2	20-1/4	58-3/4	19-7/8	10-1/2	15	8.8	80	
-	62	20-1/4	39-3/4	19-3/4	11-1/4	18-1/2	8.9	79	
136-X-01	62	20-1/4	39-3/4	19-3/4	11-1/4	18-1/2	8.9	115	
-	62	20-1/4	48-3/4	19-3/4	6-1/4	13-1/4	6.4	68	
156-X-01	62	20-1/4	50-1/4	19-3/4	6-1/4	13-1/4	6.5	100	
-	66	20-1/4	39-1/2	19-7/8	14-1/4	18-5/8	8.7	76	
-	71-1/2	28-1/4	60	27-1/4	11-1/4	18-1/2	15.3	92	
115-3-01	71-1/2	27-3/4	60	27-1/4	11-1/4	18-1/2	15.3	150	
-	71-1/2	20-3/4	60	19-3/4	11-1/4	18-1/2	11.3	78	
125-X-01	71-1/2	20-1/4	60	19-3/4	11-1/4	18-1/2	11.3	122	
-	87-3/4	86-1/4	16-1/2	13-1/4	6-1/4	10-3/4	6.4	74	
165-3-01	87-3/4	87-1/4	13-1/2	13	6	7-3/4	6.2	108	
-	56-1/4	55-1/4	16-1/4	13-1/4	6-1/4	10-3/4	4.1	53	
175-3-01	60-1/4	59-1/2	13-1/2	13	6	7-3/4	4.5	81	
-	47-1/4	46-1/4	16-1/4	13-1/4	6-1/4	10-3/4	3.4	46	
185-3-01	46-3/4	46-1/4	13-1/2	13	6	7-3/4	3.2	63	
166-3-01	87-3/4	87	18	14	7	11-1/2	9.2	128	
176-X-01	60-1/4	59-1/2	18	14	7	11-1/2	6.5	94	
186-3-01	46-3/4	46	18	13	7	11-1/2	4.5	72	
-	46-3/4	16-3/4	9-1/4	19-1/2	16-1/2	8-1/4	2.1	36	
160-3-01	46-1/2	17-1/2	9-1/2	19-1/4	16-1/2	8-1/4	1.9	53	
-	46-3/4	16-3/4	9-1/4	19-1/2	16-1/2	8-1/4	2.1	36	
161-3-01	46-1/2	17-1/2	9-1/2	19-1/4	16-1/2	8-1/4	1.9	53	
-	46-3/4	16-3/4	13-1/2	19-1/2	16-1/2	12-1/2	3.4	42	
162-3-01	46-1/2	17-1/2	13-3/4	19-1/4	16-1/2	12-1/2	3.0	66	
-	46-3/4	16-3/4	13-1/2	19-1/2	16-1/2	12-1/2	3.4	42	
163-3-01	46-1/2	17-1/2	13-3/4	19-1/4	16-1/2	12-1/2	3.0	66	
-	37	20-1/4	36-1/4	20	16-1/4	-	6.0	37	
645-X-01	36-3/4	20-1/4	36	20	16-1/4	-	6.0	67	
-	55	20-1/4	54-1/4	17	19-1/4	-	12.0	52	
655-3-01	54-3/4	20-1/4	54	17	19-1/4	-	12.0	94	
-	62	20-1/4	58-1/4	17	19-1/4	-	13.1	57	
665-X-01	61-3/4	20-1/4	58	17	19-1/4	-	13.1	112	
-	47	20-1/4	46-1/4	17	19-1/4	-	10.0	43	
675-3-01	46-3/4	20-1/4	46	17	19-1/4	-	10.0	80	
-	62	27-1/2	58-1/4	27	19-1/4	-	18.6	71	
685-3-01	61-3/4	27-1/4	58	27	19-1/4	-	18.6	134	

Aluminum Boxes available in Clear or Black ARMOR-TUF™ Powder Coat. Steel Boxes available in Brite White ARMOR-TUF™ Powder Coat (select models also available in black) Coating Choice: X=0(Clear) X=3(Brite White) X=5(Black). Prices and designs are subject to change without notice. Reference your catalog or price sheet for the appropriate model number for your vehicle and pricing information including our full line of WEATHER GUARD® Truck Boxes.



SECURE BY DESIGN™

- Aluminum Boxes available in Clear or Black ARMOR-TUF™ Powder Coat.
- Steel Boxes available in Brite White ARMOR-TUF™ Powder Coat (select models also available in black).
- Coating Choice: X=0(Clear) X=3(Brite White) X=5(Black)

			Chevrolet					Dodge			Ranger				
			Colorado	Silverado			Dakota	Ram							
			5' Fleetside	6' Fleetside	5 1/2' Fleetside	8' Fleetside	8' Fleetside	5' Bed	6 1/2' Bed	6' Bed	8' Bed	6' Styleside	7' Styleside	5 1/2' Bed	
		Aluminum Model #	Steel Model #												
SADDLE	Full Size-Extra Wide	117-X-01	116-X-01				✓	✓			✓	✓			✓
	Full Size-Extra Deep	123-X-01	128-X-01				✓	✓			✓	✓			✓
	Full Size-Standard	127-X-01 147-X-01	126-X-01				✓	✓			✓	✓			✓
	Full Size Low-Profile	121-X-01			✓	✓	✓			✓	✓				✓
	Compact-Deep	137-X-01	136-X-01	✓	✓				✓	✓			✓	✓	✓
	Compact-Standard	154-X-01	156-X-01	✓	✓				✓	✓			✓	✓	✓
	Compact Low-Profile	131-X-01		✓	✓				✓	✓			✓	✓	✓
CROSS	Full Size-Extra Wide	114-X-01	115-3-01				✓	✓			✓	✓			✓
	Full Size-Standard	124-X-01	125-X-01				✓	✓			✓	✓			✓
ALL-PURPOSE	Compact	644-X-01	645-X-01	✓	✓	✓	✓	✓	✓	✓	✓	✓	✓	✓	✓
	Full/Compact	654-X-01	655-3-01				✓	✓			✓	✓			✓
	Full Size-Standard	664-X-01	665-X-01				✓	✓			✓	✓			✓
	Full/Compact	674-X-01	675-3-01			✓	✓	✓			✓	✓	✓	✓	✓
	Full Size-Extra Wide	684-X-01	685-3-01				✓	✓			✓	✓			✓

This guide applies to 2005 and newer model year vehicles. You should measure your vehicle to make sure your WEATHER GUARD® Truck Box will fit.



ALUMINUM Hi-Side Boxes



DOORS HAVE STRONG STEEL AIRCRAFT-TYPE CABLE SUPPORTS WHICH CAN BE REMOVED FOR A FULL DROP DOWN POSITION



UNIQUE DESIGN ROTARY STYLE TWO-POSITION SAFETY LATCH PREVENTS THE DOOR FROM ACCIDENTALLY OPENING

CLEAR COAT POWDER COAT

or

BLACK ARMOR-TUF™ POWDER COATING

THE ALUMINUM HI-SIDE BOXES ARE ALL COATED WITH THE ARMOR-TUF™ CLEAR COAT FINISH OR THE BLACK ARMOR-TUF™ POWDER COATING TO PROVIDE A LONG LASTING FINISH.



REINFORCING CHANNEL ON ALUMINUM DOOR INSURES ITS DURABILITY

EXCLUSIVE FEATURES & BENEFITS

- Designed with extensive reinforcing throughout.
- Made of .063 thick diamond plate aluminum with doors made of heavy .100 thick diamond plate aluminum.
- Fully arc-welded seams make these boxes not only rust resistant but durable enough for the toughest job.
- All-aluminum doors feature a welded-on reinforcing channel to make the door more rigid and assure that the weather seal keeps tools and equipment dry.
- Brushed stainless steel paddle handle, with rotary style latch mechanism features a two position latch that prevents the door from inadvertently opening.
- Opened door is supported by aircraft-type cables with swaged fittings which can be removed to allow for a fully open swing down position.
- Finished with ARMOR-TUF™ Clear Coat or BLACK ARMOR-TUF™ Powder Coat.
- Offers a full view of the contents.
- Door cable easily adjusts to three positions.
- Mounting legs are made of 1/4" bar stock and provide sturdy mounting.
- Full weather stripping provides a positive seal against the weather.

See next page for models to fit full size and compact pickup trucks.

ADJUSTABLE CABLE LOCATIONS - One for 90° opening and another for a slightly greater than 90° opening, and a third (by unbolting the cable) for full swing down.

BRUSHED STAINLESS STEEL PADDLE HANDLE WITH FULL RUBBER GASKET TO SEAL AGAINST THE DOOR

CLEAR COAT POWDER COAT

BODY CONSTRUCTED OF DIAMOND PLATE ALUMINUM

ARMOR-TUF CLEAR COAT FINISH



Model 364

DOOR ALLOWS FOR FULL SWING DOWN POSITION WITH CABLES DISCONNECTED

AIRCRAFT-TYPE CABLE WITH SWAGED FITTINGS

FULL LENGTH ALUMINUM STAKED PIANO HINGE

Lightweight With Proven Durability!

ALUMINUM Hi-Side Boxes

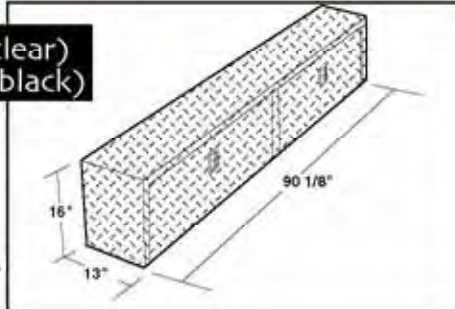
Model 396-5 Aluminum Hi-Side Boxes on a full size Ford pickup. Hi-Side door has cables attached.



**Model 390 (clear)
Model 390-5 (black)**

Door Opening Measures:
11.5"H x 40.75"W

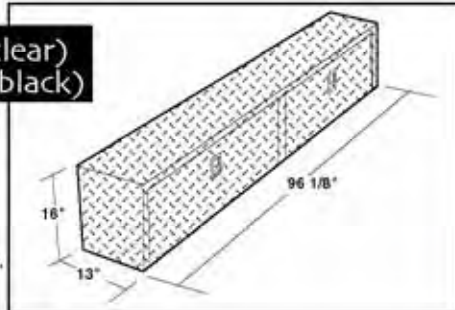
Cu. Ft...10.8
Ship Wt...72 Lbs.



**Model 396 (clear)
Model 396-5 (black)**

Door Opening Measures:
11.5"H x 40.75"W

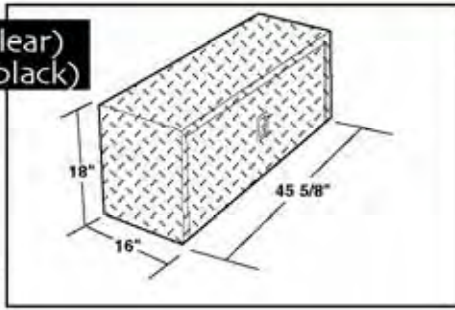
Cu. Ft...11.5
Ship Wt...80 Lbs.



**Model 347 (clear)
Model 347-5 (black)**

Door Opening Measures:
13.5"H x 40.75"W

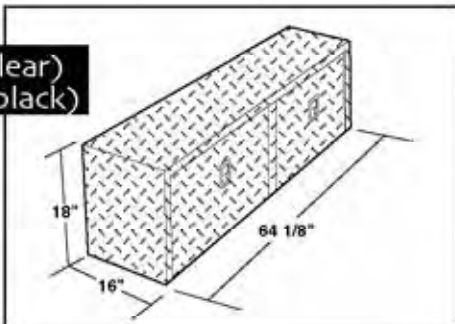
Cu. Ft...7.6
Ship Wt...52 Lbs.



**Model 365 (clear)
Model 365-5 (black)**

Door Opening Measures:
13.5"H x 25.5"W

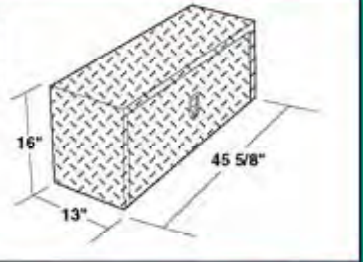
Cu. Ft...10.7
Ship Wt...66 Lbs.



**Model 346 (clear)
Model 346-5 (black)**

Door Opening Measures:
11.5"H x 40.75"W

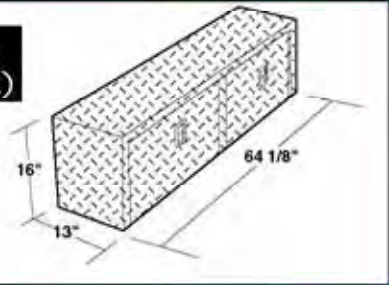
Cu. Ft...5.3
Ship Wt...45 Lbs.



**Model 364 (clear)
Model 364-5 (black)**

Door Opening Measures:
11.5"H x 25.5"W

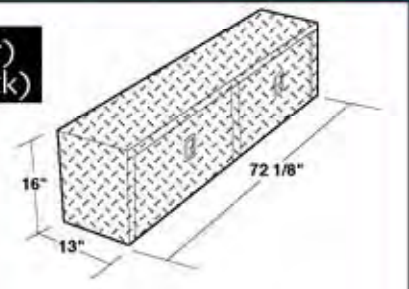
Cu. Ft...7.6
Ship Wt...58 Lbs.



**Model 372 (clear)
Model 372-5 (black)**

Door Opening Measures:
11.5"H x 32"W

Cu. Ft...8.7
Ship Wt...64 Lbs.



FOR FULL SIZE & COMPACT PICKUPS

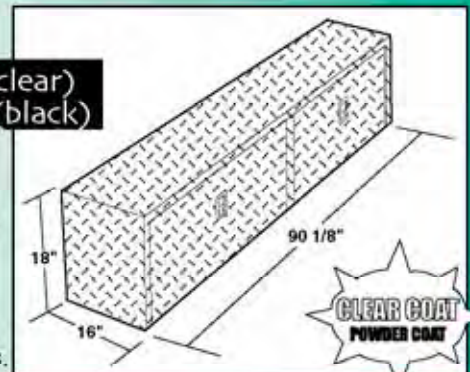
Super-Side Boxes

SAME EXCLUSIVE FEATURES & BENEFITS AS OUR ALUMINUM HI-SIDE BOXES BUT WITH OVER 1/3 MORE STORAGE SPACE!

**Model 391 (clear)
Model 391-5 (black)**

Door Opening Measures:
13.5"H x 40.75"W

Cu. Ft...14.9
Ship Wt...86 Lbs.





Steel Hi-Side Boxes

ADJUSTABLE CABLE LOCATIONS -
One for 90° opening and another for a slightly greater than 90° opening, and a third (by unbolting the cable) for full swing down.

**RECTANGULAR
GUTTER DESIGN**

**BRITE WHITE
FINISH INSIDE
AND OUT**

**FULL LENGTH ALUMINUM
PIANO HINGE**

**ANGLE
BODY
DESIGN**

**BRUSHED
STAINLESS
STEEL PADDLE
HANDLE WITH
FULL RUBBER
GASKET TO
SEAL AGAINST
THE DOOR**

Model 264-3

**POWDER COATED
ALUMINUM DOOR**

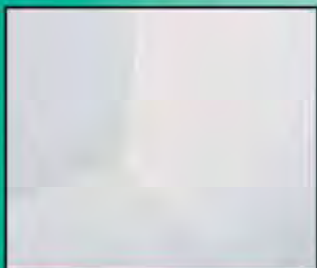
**AIRCRAFT-TYPE
CABLE WITH
SWEDGED FITTINGS**



**RECTANGULAR RAIN GUTTER
DESIGN ADDS EXTRA
STRENGTH ALONG THE FULL
LENGTH OF THE BOX AS
WELL AS EXTRA WEATHER
PROTECTION TO THE TOP OF
THE DOORS**



**UNIQUE ANGLE DESIGN ADDS
STRENGTH TO THE FULL
LENGTH OF THE CABINET
AND ALLOWS THE DOOR TO
SWING ALL THE WAY DOWN
WHEN THE CABLE IS REMOVED**



**EXCLUSIVE INNER ARC
WELD CONSTRUCTION ON
ALL SEAMS FOR MAXIMUM
STRENGTH AND DURABILITY**

**FINISH GRINDING DOES NOT
DIMINISH THE INTEGRITY OF
THE WELD**



**UNIQUE DESIGN ROTARY
STYLE TWO-POSITION LATCH
PREVENTS THE DOOR FROM
INADVERTENTLY OPENING**

EXCLUSIVE FEATURES & BENEFITS

- Designed to carry more tools by freeing up the storage space in a cargo bed.
- High profile boxes mount on the side rails of a pickup.
- Features a blend of steel and aluminum; 14 gauge steel end panels and door posts, 17 gauge steel tops, backs and bottoms and .100 thick aluminum doors and reinforcing channels.
- Aluminum doors swing down for easy access and a full view of the contents-can be adjusted to 3 positions.
- Smooth-action brushed stainless steel paddle handles have a rotary style latch.
- Flanged design aluminum doors feature a full length aluminum piano hinge to eliminate unsightly rust and a full length reinforcing channel for maximum rigidity.
- Door flanges mesh with the weather stripping in the cabinet for a positive weather seal.
- Unique, rotary style latch prevents the door from falling open inadvertently.
- Mounting legs are made of 1/4" bar stock and provide sturdy mounting.
- Rain gutter design is fully weather stripped and provides a positive seal against the weather.
- Coated with BRITE WHITE Powder Coat Finish, inside and out, for a durable finish.
- Select Hi-Side Boxes are available in BLACK ARMOR-TUF™ Powder Coating.

See next page for models to fit full size and compact pickup trucks.

**BRITISH WHITE
POWDER COAT
FINISH**



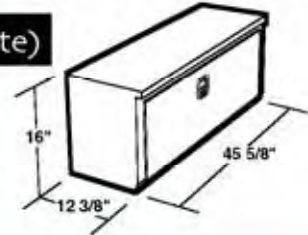
**Model 296-3 Hi-Side
Boxes on a full size
Dodge pickup.**

Steel Hi-Side Boxes

Model 246-3 (white)

Door Opening
Measures:
11.5"H x 42"W

Cu. Ft...5.16
Ship Wt...72 Lbs.



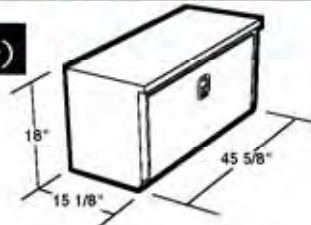
Super-Side Boxes

**SAME EXCLUSIVE FEATURES & BENEFITS
AS OUR HI-SIDE BOXES BUT WITH OVER 1/3 MORE STORAGE SPACE!**

Model 247-3 (white)

Door Opening
Measures:
13.5"H x 42"W

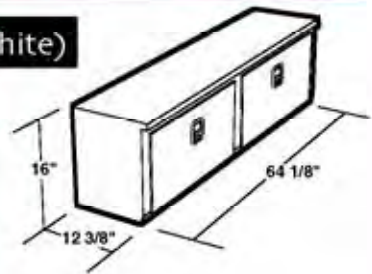
Cu. Ft...7
Ship Wt...84 Lbs.



Model 264-3 (white)

Door Opening
Measures:
11.5"H x 26.25"W

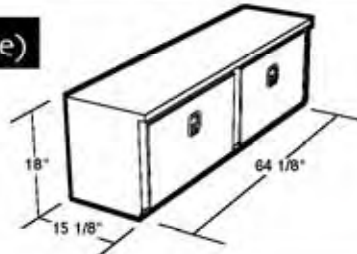
Cu. Ft...7.26
Ship Wt...96 Lbs.



Model 265-3 (white)

Door Opening
Measures:
13.5"H x 26.25"W

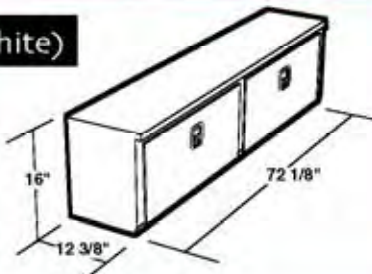
Cu. Ft...10
Ship Wt...112 Lbs.



Model 272-3 (white)

Door Opening
Measures:
11.5"H x 32.75"W

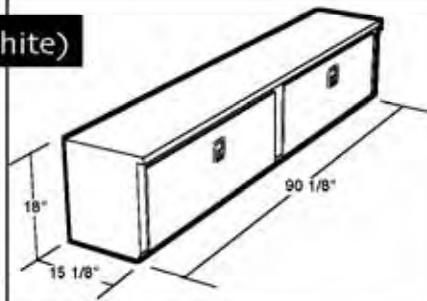
Cu. Ft...8.16
Ship Wt...107
Lbs.



Model 291-3 (white)

Door Opening
Measures:
13.5"H x 42"W

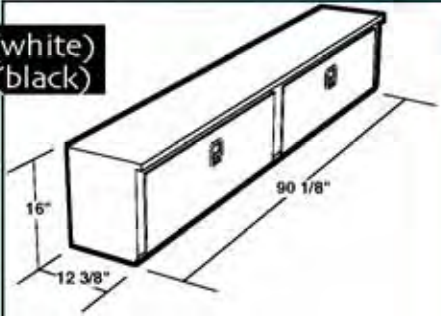
Cu. Ft...14
Ship Wt...145 Lbs.



Model 290-3 (white) Model 290-5 (black)

Door Opening
Measures:
11.5"H x 42"W

Cu. Ft...10.21
Ship Wt...126
Lbs.



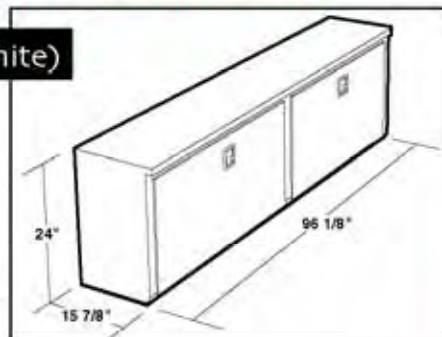
Jumbo Super-Side Box

**A FULL 6 INCHES TALLER AND WIDER THAN OUR LARGEST SUPER-
SIDE BOX WITH 1/3 MORE STORAGE SPACE!**

Model 297-3 (white)

Door Opening
Measures:
19.5"H x 44"W

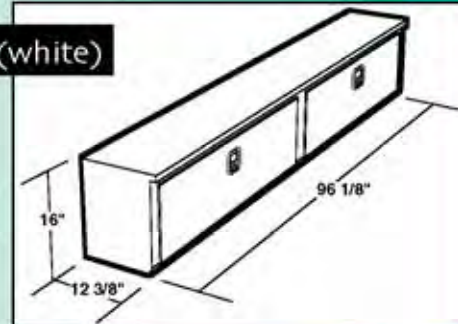
Cu. Ft...21
Ship Wt...178 Lbs.



Model 296-3 (white)

Door Opening
Measures:
11.5"H x 42"W

Cu. Ft...10.89
Ship Wt...133
Lbs.





ALUMINUM Underbed Boxes

**CLEAR COAT
POWDER COAT**

OR

**BLACK
ARMOR-TUF™
POWDER COATING**



BRUSHED STAINLESS STEEL PADDLE HANDLE FOR EXTRA LIFE AND DURABILITY



UNIQUE DESIGN ROTARY STYLE TWO-POSITION LATCH PREVENTS THE DOOR FROM INADVERTENTLY OPENING



WEATHER STRIPPING PROTECTS CONTENTS FROM THE WEATHER

THE ALUMINUM UNDERBED BOXES ARE ALL COATED WITH THE ARMOR-TUF™ CLEAR COAT FINISH OR THE BLACK ARMOR-TUF™ POWDER COATING TO PROVIDE A LONG LASTING FINISH.

EXCLUSIVE FEATURES & BENEFITS

- Designed to withstand rugged daily use.
- Box and door are made of heavy .100 thick diamond plate aluminum.
- Fully arc-welded seams produce a storage box that is strong and durable for the toughest jobs.
- Aluminum door features a welded-on reinforcing channel to make the door more rigid and assure a weather tight seal.
- Tools are accessible when needed and remain safe and secure when locked up during transit.
- Brushed stainless steel paddle handle has a rotary style latch mechanism.
- Latch mechanism features a two-position latch, preventing the inadvertent opening of the door.
- Aluminum Underbed boxes are available in BLACK ARMOR-TUF™ Powder Coat or ARMOR-TUF™ Clear Coat finish.

NOTE: Due to the various chassis that these products can be used on, contact a truck equipment dealer for mounting procedures and support brackets or angles. If you decide to make these brackets yourself, do not use any steel less than 1/4" in thickness.

See next page for models to fit flatbed, platform and dump trucks.

POSITIVE WEATHER SEAL PROTECTS TOOLS AND MATERIALS STORED INSIDE FROM ROAD DIRT AND WEATHER

BODY IS CONSTRUCTED OF DIAMOND PLATE ALUMINUM

DOOR IS RECESSED SLIGHTLY TO ALLOW FOR FULL SWING DOWN POSITION WITH CABLES DISCONNECTED

FULL LENGTH ALUMINUM HINGE

**CLEAR COAT
POWDER COAT**

AIRCRAFT TYPE CABLE WITH SWEDGED FITTINGS SUPPORT THE ALUMINUM DOOR

ROTARY STYLE TWO POSITION LATCH SYSTEM KEEPS DOOR FROM INADVERTENTLY OPENING IN TRANSIT

Model 636

ALUMINUM Underbed Boxes

WEATHER GUARD® Aluminum Underbed Boxes are lightweight yet durable and will protect your tools and equipment for years to come.

**BLACK
ARMOR-TUF™
POWDER COATING**

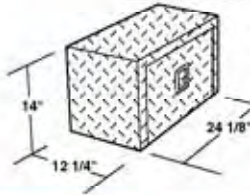
or

**CLEAR COAT
POWDER COAT**

Model 636 Aluminum Underbed Box



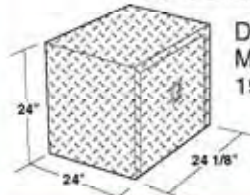
**Model 622 (clear)
Model 622-5 (black)**



Door Opening
Measures:
19.25"W x 9.25"H

Cu. Ft...2.4
Ship Wt...24 Lbs.

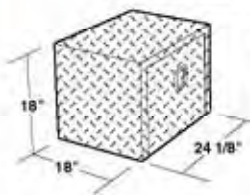
**Model 626 (clear)
Model 626-5 (black)**



Door Opening
Measures:
19.25"W x 19.5"H

Cu. Ft...8
Ship Wt... 49 Lbs.

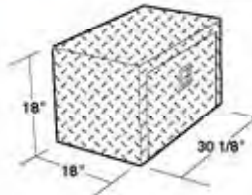
**Model 627 (clear)
Model 627-5 (black)**



Door Opening
Measures:
19.25"W x 13.5"H

Cu. Ft...4.3
Ship Wt...35 Lbs.

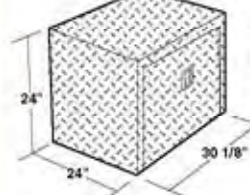
**Model 631 (clear)
Model 631-5 (black)**



Door Opening
Measures:
25.25"W x 13.5"H

Cu. Ft...5.4
Ship Wt...42 Lbs.

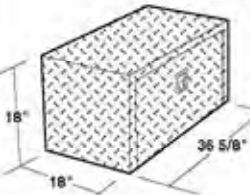
**Model 632 (clear)
Model 632-5 (black)**



Door Opening
Measures:
25.25"W x 19.5"H

Cu. Ft...10
Ship Wt... 57 Lbs.

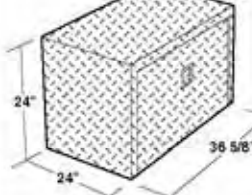
**Model 636 (clear)
Model 636-5 (black)**



Door Opening
Measures:
31.75"W x 13.5"H

Cu. Ft...6.5
Ship Wt...47 Lbs.

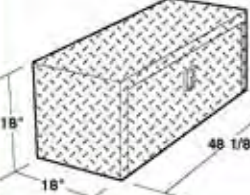
**Model 638 (clear)
Model 638-5 (black)**



Door Opening
Measures:
31.75"W x 19.5"H

Cu. Ft...12.2
Ship Wt...65 Lbs.

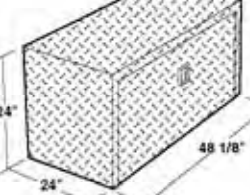
**Model 648 (clear)
Model 648-5 (black)**



Door Opening
Measures:
43.25"W x 13.5"H

Cu. Ft...8.6
Ship Wt...62 Lbs.

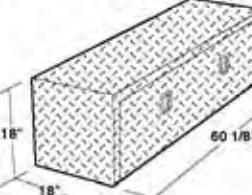
**Model 650 (clear)
Model 650-5 (black)**



Door Opening
Measures:
43.25"W x 19.5"H

Cu. Ft...16
Ship Wt...81 Lbs.

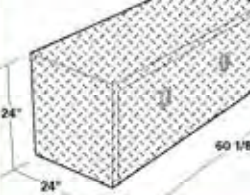
**Model 660 (clear)
Model 660-5 (black)**



Door Opening
Measures:
55.25"W x 13.5"H

Cu. Ft...11.2
Ship Wt...76 Lbs.

**Model 662 (clear)
Model 662-5 (black)**



Door Opening
Measures:
55.25"W x 19.5"H

Cu. Ft...20
Ship Wt...100 Lbs.

weather guard.



SECURE BY DESIGN™

NEW! UNDERBED BOXES



ALL NEW FEATURES AND BENEFITS

- 1** Stainless Steel D-Handle
 - Large open handle that is easy to grab and operate
- 2** Aluminum Door and Hinge
 - Durable and lightweight with superior resistance to rust and corrosion
- 3** Three Point Latching System
 - Creates a positive closure on three sides of the door making it secure and water resistant
- 4** Picture Frame Body Design
 - 14 gauge steel with extra large opening for maximum utilization of storage space
- 5** Removable Chain Stays
 - Heavy-duty door support at various openings
- 6** Versatile 180° Drop Down Door
 - Allows unrestricted access to the body of the box



STEEL UNDERBED BOXES



White ARMOR-TUF™
Powder Coat Finish



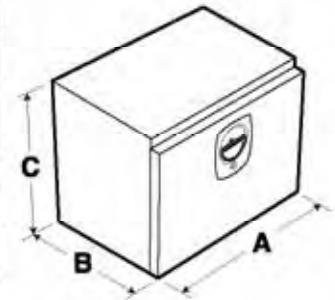
Black ARMOR-TUF™
Powder Coat Finish



ALL NEW - Stainless Steel Door in Two Sizes

COMPACT UNDERBED	Model	A	B	C	Door Opening	Cubic Feet	Ship Wt. (lbs.)
	525-X-01	24 1/8	12 3/8	14 1/8	10.5 x 22.25	2.3	45

STANDARD UNDERBED	Model	A	B	C	Door Opening	Cubic Feet	Ship Wt. (lbs.)
	524-X-01	24 1/8	18 1/4	18 1/8	14.5 x 22.25	4.5	60
	530-X-01	30 1/8	18 1/4	18 1/8	14.5 x 28.25	5.6	70
	536-X-01	36 5/8	18 1/4	18 1/8	14.5 x 34.75	6.7	82
	548-X-01	48 1/8	18 1/4	18 1/8	14.5 x 46.25	9.1	100
	560-X-01	60 1/8	18 1/4	18 1/8	14.5 x 58.25	11.2	135



JUMBO UNDERBED	Model	A	B	C	Door Opening	Cubic Feet	Ship Wt. (lbs.)
	526-X-01	24 1/8	24 1/4	24 1/8	20.5 x 22.25	8.1	73
	532-X-01	30 1/8	24 1/4	24 1/8	20.5 x 28.25	10.1	91
	538-X-01	36 5/8	24 1/4	24 1/8	20.5 x 34.25	12.1	111
	550-X-01	48 1/8	24 1/4	24 1/8	20.5 x 46.25	16.2	145
	562-X-01	60 1/8	24 1/4	24 1/8	20.5 x 58.25	20.2	181

Available in ARMOR-TUF™ White or Black Powder Coating. To specify coating, replace X with coating choice: 3 = white; 5 = black. Designs are subject to change without notice.

STAINLESS STEEL	Model	A	B	C	Door Opening	Cubic Feet	Ship Wt. (lbs.)
	536-2-01	36 5/8	18 1/4	18 1/8	14.5 x 34.75	6.7	90
	548-2-01	48 1/8	18 1/4	18 1/8	14.5 x 46.25	9.1	110

NOTE: Due to the various chassis that these products may be used on, contact a truck equipment dealer for mounting procedures and support brackets or angles. If you decide to make these brackets yourself, do not use any steel less than 1/4" in thickness.



Accessory Trays



Model 617

STEEL DIVIDER TRAY

Measures...14"W x 26½"L

Fits...114-0-01, 114-5-01, 115-3-01, 116-3-01, 116-5-01, 117-0-01, 117-5-01, 684-0-01, 684-0-01, 685-3-01.

Ship Wt...14 Lbs.

**BLACK
ARMOR-TUF™
POWDER COATING**



Model 615

STEEL DIVIDER TRAY

Measures...14"W x 19½"L

Fits...121-0-01, 121-5-01, 123-0-01, 123-5-01, 124-0-01, 124-5-01, 125-3-01, 126-3-01, 126-5-01, 127-0-01, 127-5-01, 128-3-01, 128-5-01, 131-0-01, 131-5-01, 136-3-01, 136-5-01, 137-0-01, 137-5-01, 147-0-01, 147-5-01, 154-0-01, 154-5-01, 156-3-01, 156-5-01, 654-0-01, 654-5-01, 655-3-01, 664-0-01, 664-5-01, 665-3-01, 665-5-01, 674-0-01, 674-5-01, 675-3-01.

Ship Wt...14 Lbs.



Model 614-3

STEEL DIVIDER TRAY

Measures...14½"W x 26½"L

Fits...114, 114-5, 115-3, 116-3, 116-5, 117, 117-5, 157-3, 158-3, 159, 159-5, 684, 684-5 and 685-3.

Ship Wt...14 Lbs.



Model 613-3

STEEL DIVIDER TRAY

Measures...14½"W x 19½"L

Fits...124, 124-5, 125-3, 125-5, 126-3, 126-5, 127, 127-5, 134, 134-5, 135-3, 136-3, 137, 137-5, 153, 153-5, 154, 154-5, 155-3, 156-3, 156-5, 654, 654-5, 655-3, 664, 664-5, 665-3, 665-5, 674, 674-5 and 675-3.

Ship Wt...14 Lbs.



Model 911

ACCESSORY TRAY For Lo-Side and Super-Lo Boxes.

Measures...19"L x 11"W

Ship Wt...9 Lbs.

MODEL 913-3 DIVIDERS For 911 Tray - 3 per package

Ship Wt...3 Lbs.



Model 620-3

STEEL TOTE TRAY

Measures... 9"W x 25-1/2"L x 3"H

Fits...116-3, 116-5, 117, 117-5 and 158-3.

Ship Wt...11 Lbs.



Model 619-3

STEEL TOTE TRAY

Measures... 9"W x 18-1/2"L x 3"H

Fits...126-3, 126-5, 127, 127-5, 136-3, 154, 154-5, 156-3 and 156-5.

Ship Wt...8 Lbs.

Accessory Parts Cabinets & Trays



FOR HI-SIDE AND
SUPER-SIDE BOXES....

Model 200-3
Model 202-3

Trays - 16 gauge steel with adjustable dividers; bolts to back wall of cabinet.

MODEL 200-3 41 1/2" L x 9 1/2" W
Ship Wt...17 Lbs.

MODEL 202-3 24" L x 9 1/2" W
Ship Wt...12 Lbs.



Model 200-3 in a Model 296-3 Hi-Side Box.

Model 201-3

Parts cabinet - All steel cabinets feature removable partitions; bolts through bottom of box. Not intended for use with 264-3, 265-3 and 272-3.

Measures... 32 1/2" L x 11 1/4" W
Ship Wt...28 Lbs.



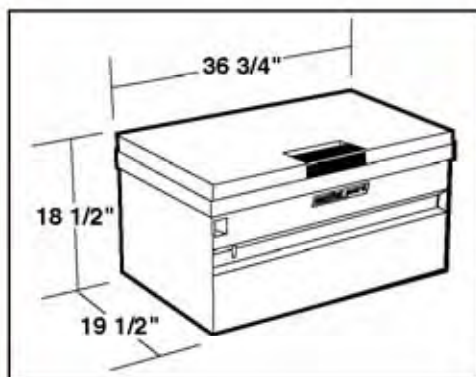
Model 201-3 in a Model 296-3 Hi-Side Box.

Strong Box



- Designed for maximum security.
- FOR INSIDE USE ONLY! Use in conjunction with a pickup cap or other type of enclosure and bolt it to the truck bed.

Model 9036-3



WATCHMAN® IV
SINGLE PADLOCK
LOCK SYSTEM

Cu. Ft...6.7
Ship Wt...93 Lbs.



BRITE WHITE FINISH resists chipping and flaking



ATR™

ALUMINUM TRUCK RACK

“The Professionals’ Choice”



- FULLY ANODIZED
- FOR FULL-SIZE & COMPACT PICKUPS
- MOUNTS TO TOP OF BED RAILS
- 800 LBS. OF LOAD CAPACITY

EXCLUSIVE FEATURES & BENEFITS

LADDER STOP

- Easily adjustable across the entire length of the cross member.
- Helps to secure ladders and materials.



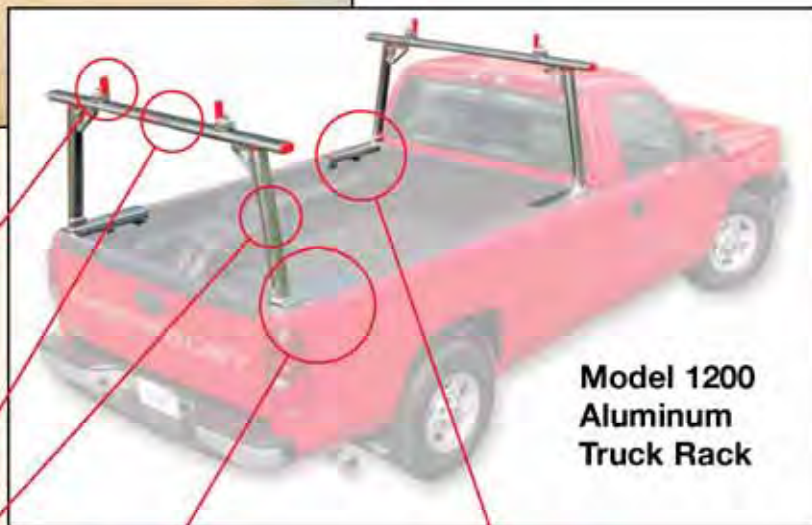
ANTI-WEAR STRIP

- Reduces wear on ladders.
- Protects building materials.



CROSS SECTION

- Cross section of uprights and cross members show the triple wall reinforcing that provides strength and rigidity.
- Unique patent-pending design is light weight, aerodynamic and gives the rack a sleek, stylish appearance.

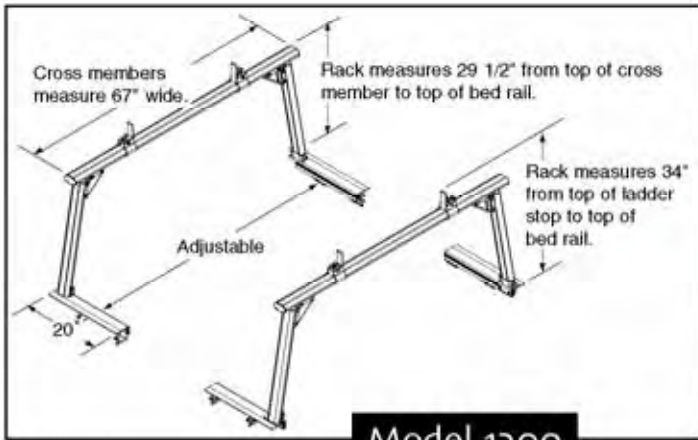


**Model 1200
Aluminum
Truck Rack**



REAR MOUNTING RAIL FRONT MOUNTING RAIL

- Easy to install compression clamps on the front and rear mounting rails secures the rack to the top of the truck bed.
- Front uprights are welded to mounting rails which are notched to allow uprights to mount close to the cab, maximizing the bed space.
- Rear uprights bolt to mounting rails for easy removal.
- Low profile design of mounting rails makes for easy mounting of truck boxes and gives your truck a sleek overall look.



Model 1200

For Full Size Pickup Trucks
Includes:

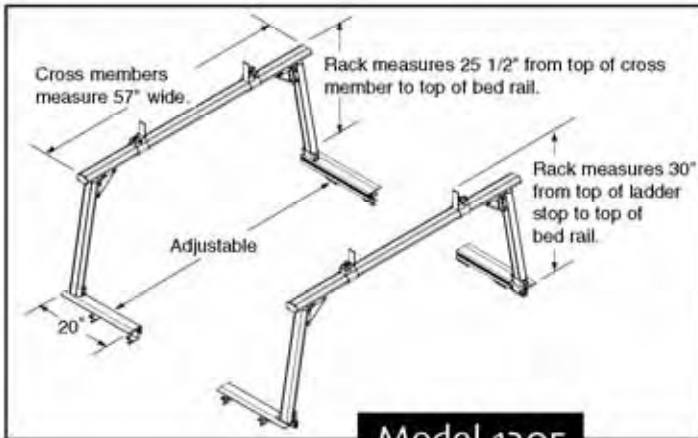
- 4 Uprights
- 4 Mounting Bases
- 2 Cross Members
- 4 Ladder Stops

Load capacity 800 lbs.

Ship Wt. 68 lbs.



Model 1200 Aluminum Truck Rack shown with Model 1210 Accessory Side Rails



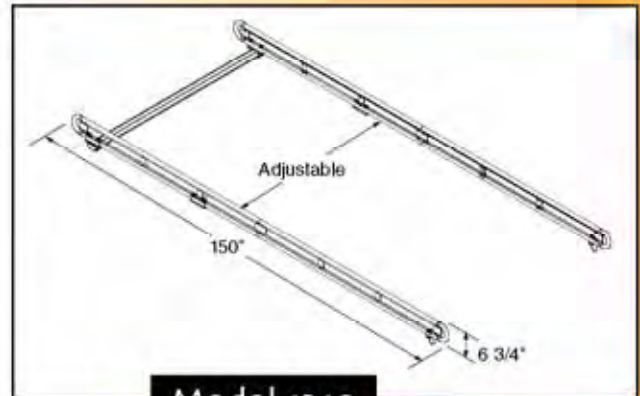
Model 1205

For Compact Pickup Trucks
Includes:

- 4 Uprights
- 4 Mounting Bases
- 2 Cross Members
- 4 Ladder Stops

Load capacity 800 lbs.

Ship Wt. 61 lbs.



Model 1210

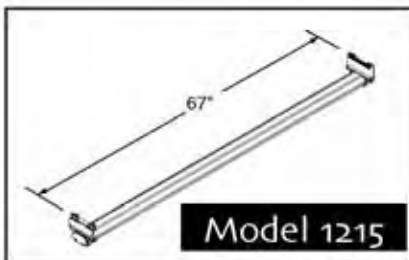
ACCESSORY SIDE RAILS

For Full Size Pickup Trucks With 8' Bed.

Includes:

- 2 Side Rails
- 1 Front Cross Member

Ship Wt. 52 lbs.

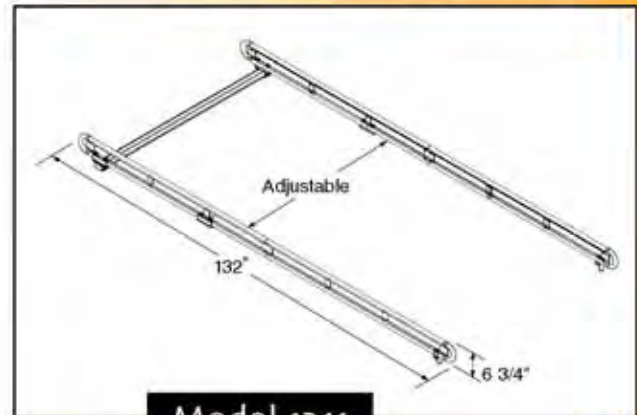


Model 1215

ACCESSORY CROSS MEMBER

For use with Model 1210 and Model 1211 Accessory Side Rails only.

Ship Wt. 12 lbs.



Model 1211

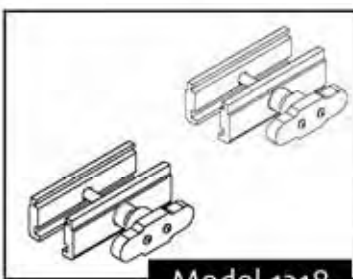
ACCESSORY SIDE RAILS

For Full Size Pickup Trucks With 6.5' Beds and all Compact Pickup Trucks.

Includes:

- 2 Side Rails
- 1 Front Cross Member

Ship Wt. 46 lbs.



Model 1218

ACCESSORY QUICK RELEASE

Allows quick removal of rear cross member (2 each). For use with Model 1210 and Model 1211 Accessory Side Rails only.

Ship Wt. 2 lbs.

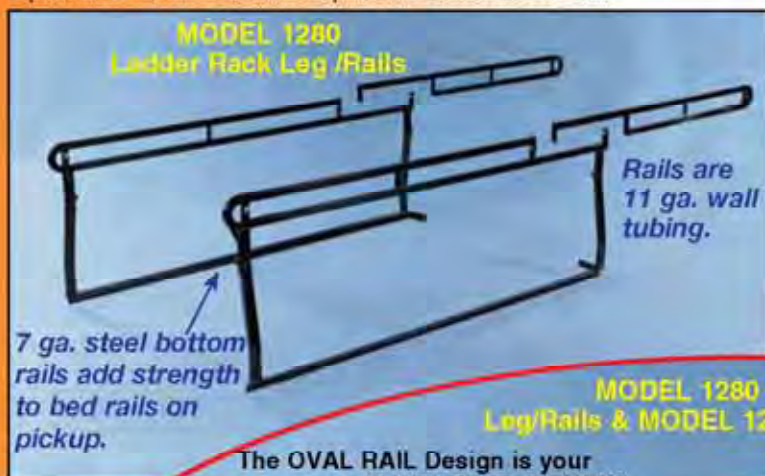


QUICK TO ASSEMBLE & INSTALL!

8 Bolts to Assemble...

Legs are already welded to the top and bottom rails!

Optional tie-down brackets require an additional 8 bolts.



EXCLUSIVE FEATURES & BENEFITS

- Fits full size 8' bed domestic pickups FAST!
- Works great with bedliners because it mounts on the bed rails.
- Assembles and installs in approximately 1 hour!
- Consists of two welded leg, rail and base assemblies, one for the driver side and one for the passenger side. The front piece of each rail is bolted to the welded assembly for each side.
- Constructed of 7 gauge steel bottom rails that add strength to the bed rails on a pickup.
- Available in BLACK ARMOR-TUF™ Powder Coating.
- Requires separate purchase of cross member kit. Cross member kits are specific for Chevy, Dodge, Ford and Ford Super Duty full size pickups.

MODEL 1280 Ladder Rack Leg/Rails & MODEL 1284 Cross Member Kit

The OVAL RAIL Design is your assurance of WEATHER GUARD® Equipment Quality.

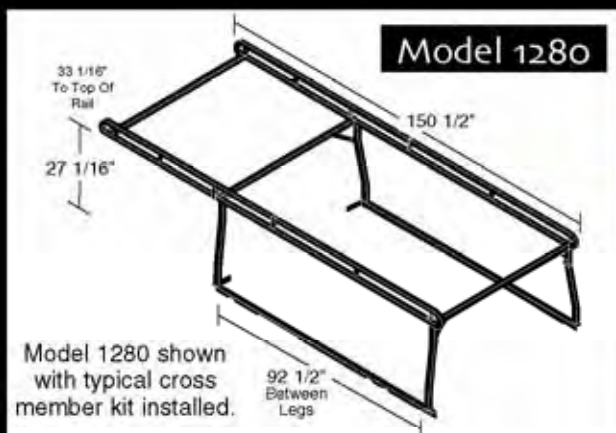
BLACK ARMOR-TUF™ POWDER COATING



Up to 1,000 lb. load capacity!

12 Bolts to Install...

Leg/Rail assemblies bolt to the side rails of your pickup.



The Cross Member Kits consist of a front, middle and rear cross member. The rear cross member is easily removed for loading large materials at the rear of the pickup truck.

Cross Member Kits are specific for Chevy, Dodge, Ford and Ford Super Duty full size pickup trucks.

IT ADDS UP TO A GREAT LADDER RACK!

FAST RACK® SYSTEM

Combine the Model 1280 Ladder Rack Leg/Rails and the Cross Member Kit that fits your vehicle...

GMC/Chevrolet Vehicles

Model 1280 + Model 1281 =

LADDER RACK LEG/RAILS + CROSS MEMBER KIT FOR '89 AND NEWER GM FULL SIZE PICKUPS



CHEVY CK with 8' bed shown with the New FAST RACK® SYSTEM and two WEATHER GUARD® Model 164-5-01 Aluminum Lo-Side Boxes with the BLACK ARMOR-TUF™ Powder Coating.

Dodge Vehicles

Model 1280 + Model 1282 =

LADDER RACK LEG/RAILS + CROSS MEMBER KIT FOR ALL '94 TO '01 AND '02 2500 & 3500 DODGE FULL SIZE PICKUPS

Model 1287

CROSS MEMBER KIT FOR '02 AND NEWER MODEL 1500 AND ALL '03 AND NEWER DODGE FULL SIZE PICKUPS



DODGE RAM with 8' bed shown with the New FAST RACK® SYSTEM and a WEATHER GUARD® Model 125-5-01 Steel Cross Box with the BLACK ARMOR-TUF™ Powder Coating.

Ford Super Duty Vehicles

Model 1280 + Model 1284 =

LADDER RACK LEG/RAILS + CROSS MEMBER KIT FOR '99 AND NEWER SUPER DUTY FORD PICKUPS*



FORD SUPER DUTY with 8' bed shown with the New FAST RACK® SYSTEM and a WEATHER GUARD® Model 117-5-01 Aluminum Saddle Box with the BLACK ARMOR-TUF™ Powder Coating.

Ford Standard Duty Vehicles

NOT SHOWN

See below for fitting guide information. Ford F-150 Extended Cab Vehicle requires separate purchase of model 1247 Airfoil

Note: The 1280 rack may not fit when used with some vehicle manufacturer recommended bed reinforcing kits. Check with your dealer to see if a reinforcing kit is required.

*Model 1280 Ladder Rack Leg/Rails - For full size 8' bed domestic pickups. Includes the driver and passenger side Leg/Rail/Bases, Front Rails and bolt kit. Requires one of the cross member kits that are listed below. Measurements: Rails -150 1/2" long, Legs and Rails combined - 33 3/4" high. Ship Weight: 175 Lbs.

GMC/Chevrolet Vehicles

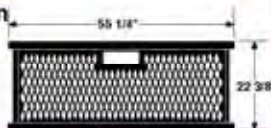
Model 1281 Cross Member Kit
For '89 to current GM full size 8' bed pickups (excluding 3500 HD).
Ship Weight: 34 Lbs.

Dodge Vehicles

Model 1282 Cross Member Kit
For all '94 to '01 and '02 Model 2500 and 3500 Dodge full size 8' bed pickups.
Model 1287 Cross Member Kit
For '02 Model 1500 and all '03 and newer Dodge full size pickups.
Ship Weight: 34 Lbs.

Accessory Cab Screen

Model 1285 Accessory Cab Screen for FAST RACK® System
Cab Screen clamps to leg of rack with no drilling required.
Ship Weight: 34 Lbs.



Ford Std. Duty Vehicles

Model 1283 Cross Member Kit
For '97 and newer Ford full size 8' bed pickups.
Ship Weight: 33 Lbs.

Ford Super Duty Vehicles

*Model 1284 Cross Member Kit
For '99 and newer Super Duty Ford 8' bed pickups.
Ship Weight: 34 Lbs.

Accessory Cross Member

Model 1060-5 Accessory Cross Member for FAST RACK® System
Adjusts to 61 1/2" wide.
Ship Weight: 10 Lbs.

BLACK ARMOR-TUF™ POWDER COATING



*Models 1280 & 1284 will not fit Ford Super Duty Four Door Crew Cab Vehicles.



Steel Ladder Racks

**BLACK ARMOR-TUF™
POWDER
COAT**

**THE OVAL RAIL DESIGN
IS YOUR ASSURANCE
OF WEATHER GUARD®
EQUIPMENT
QUALITY**

**LEGS ARE
ADJUSTABLE
FRONT TO
BACK**

**48 INCH WIDE
PAYLOAD
PLATFORM**

FOR FULL SIZE PICKUPS

**CONTOURED
LEGS FOR
GREATER
STABILITY
OF LOADS**

**1,000 POUND
LOAD CAPACITY!**

**Model 1245
(Short bed)**

**BLACK
ARMOR-TUF™
POWDER COATING**

EXCLUSIVE FEATURES & BENEFITS

- Rugged work rack is designed to carry 1000 lbs. of materials, lumber or ladders.
- Heavy tubular steel construction.
- Available in BLACK ARMOR-TUF™ Powder Coating.
- Available in two sizes; one for standard 8' beds and one for 6' beds.

See next page for models to fit full size pickups.



Adjustable leg socket allows easy positioning of the leg for proper fit to truck bed.



Clamp design of bracket of front (and accessory) cross member allows you to put them where the load dictates.



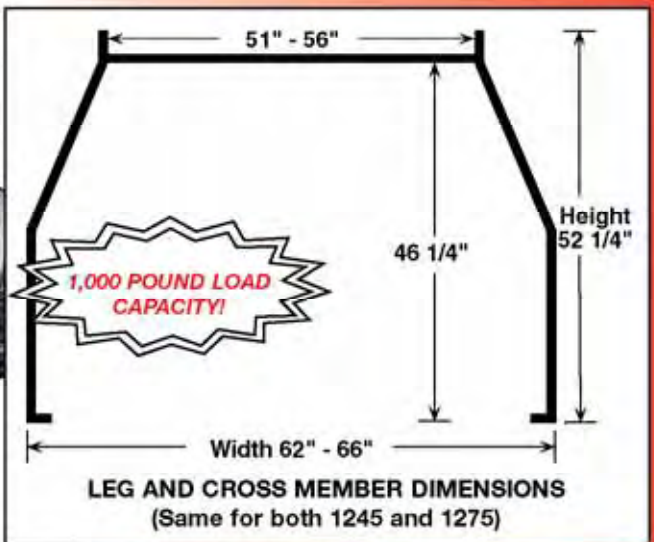
Removable pin on rear cross member allows you to quickly take off the rear cross member for loading large materials.



Tie-down bracket can be bolted wherever you wish.



Model 1275 Ladder Rack on a full size Ford pickup.



Ford Super Cab Super Duty Vehicles require separate purchase of Model 1246 Airfoil.

Model 1246 Ship Wt: 5 Lbs.

GM, Dodge and Ford F-150 Extended Cab Vehicles require separate purchase of Model 1247 Airfoil.

Model 1247 Ship Wt: 7 Lbs.

EXCLUSIVE FEATURES & BENEFITS

- Model 1245 fits full size short bed pickups and short bed Toyota Tundra.
- Model 1275 fits full size long bed pickups.
- Load capacity rating is 1000 lbs.
- Load carrying capacity is increased to 1500 lbs. when utilizing the Accessory Screen.
- Sleekly designed and repackaged to offer more versatility.
- Includes 4 legs, 3 cross members and 2 side rails.
- Available in BLACK ARMOR-TUF™ Powder Coating.
- Made of formed 1" x 2", 14 gauge wall tubing.
- Cross members are made of 1½" x 1½", 14 gauge wall tubing.
- Full-welded bracket that clamps around the side rail is made of formed 7 and 12 gauge steel.
- Use the Accessory Cross Member when hauling shorter and more flexible materials or shorter ladders.

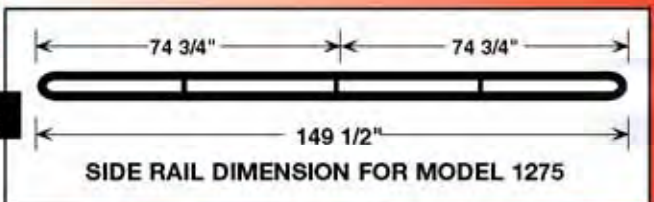
FOR FULL SIZE PICKUPS

MODEL 1275 & 1245 WILL NOT FIT FORD SUPER DUTY FOUR DOOR CREW CAB VEHICLES.

Model 1275

Fits long bed full size pickups.

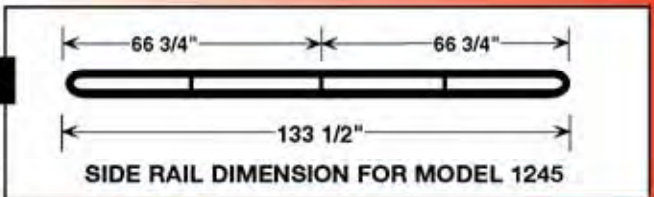
Ship Wt...171 Lbs.



Model 1245

Fits short bed full size pickups and short bed Toyota Tundra.

Ship Wt...159 Lbs.

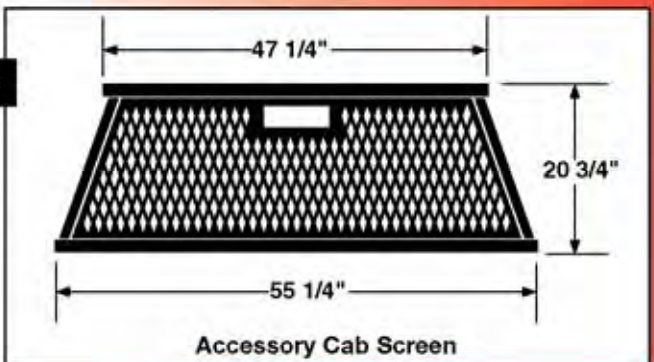


ACCESSORIES

Model 1259

Fits both the 1245 and 1275 racks
Not available for Dodge Dakota.

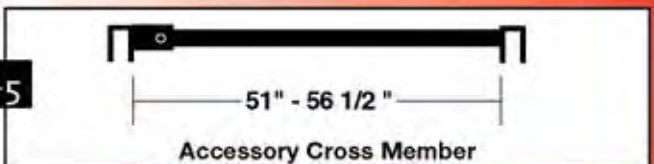
Ship Wt... 35 Lbs.



Model 1060-5

Fits both the 1245 and 1275 racks.

Ship Wt. 10 Lbs.





Steel Ladder Racks



THE OVAL RAIL DESIGN ASSURES YOU OF WEATHER GUARD® EQUIPMENT QUALITY

48 INCH WIDE PAYLOAD PLATFORM

LEGS ARE ADJUSTABLE FRONT TO BACK

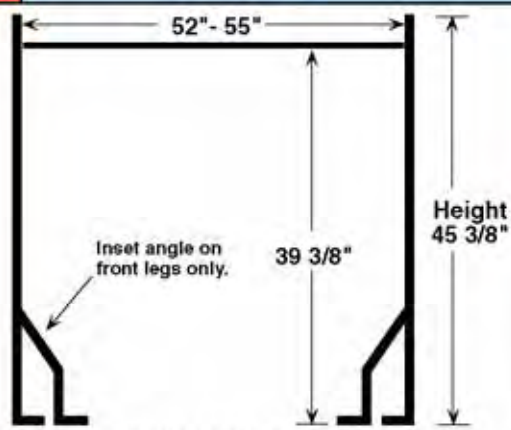
CONTOURED FRONT LEGS MAKE IT EASY TO MOUNT RACK AROUND GAS FILLER TUBES AND CURVED TRUCK BED DESIGNS

1,000 POUND LOAD CAPACITY!

Model 1345 (Short bed)

BLACK ARMOR-TUF™ POWDER COATING

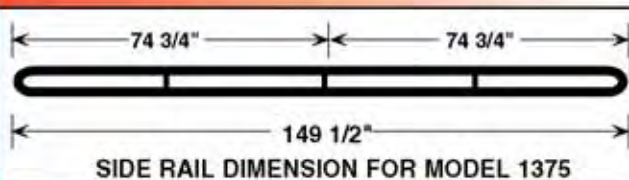
Same exclusive features and benefits as full size rack on page 24-25.



LEG AND CROSS MEMBER DIMENSIONS (For both 1345 and 1375 series racks)

EXCLUSIVE FEATURES & BENEFITS

- Model 1345 is designed to fit compact short bed pickups.
- Model 1375 is designed to fit compact long bed pickups.
- Assembly includes 4 legs, 3 cross members and 2 side rails.
- Legs are made of formed 1" x 2", 14 gauge steel wall tubing. The side rails are 1"x1½", 11 gauge wall tubing. Cross members are made of formed 7 and 12 gauge steel.
- Contoured front legs allow easy installation on pickups with gas filler tubes or curved truck beds.
- Both racks are rated for maximum payload of 1000 lbs.
- Available in BLACK ARMOR-TUF™ Powder Coating.

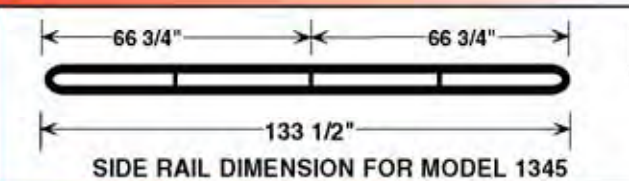


SIDE RAIL DIMENSION FOR MODEL 1375

Model 1375

Fits long bed compact pickups.

Ship Wt...167 Lbs



SIDE RAIL DIMENSION FOR MODEL 1345

Model 1345

Fits short bed compact pickups.

Ship Wt...155 Lbs.

FOR COMPACT PICKUPS

Ladder Rack Accessories

EXCLUSIVE FEATURES & BENEFITS

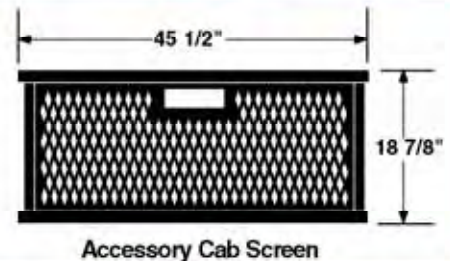
- **Accessory Cab Screen** adds 500 lbs. to the load carrying capacity of the ladder rack.
- **Accessory Cross Member** makes it easier to haul shorter and more flexible materials or shorter ladders on your ladder rack.

Cab Screens For Compact Pickups

Model 1359

Fits both the 1345 & 1375 series racks.

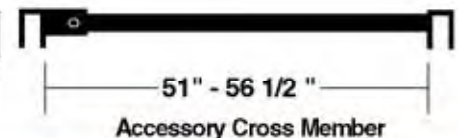
Ship Wt...33 Lbs.



Model 1060-5

Fits both the 1345 & 1375 series racks.

Ship Wt...10 Lbs.



- **Model 239 Conduit Carrier Kit** may be used for carrying all types of conduit, pipes, tubing and bar stock.
- Can be mounted across the bed and used as a convenient place to keep blue prints and drawings.
- Purchase locally a section of standard 6" PVC (9ASTM D2665) plastic drain pipe. Attach the end caps with PVC cement and install on ladder rack with the mounting clamps provided. No holes to drill. Lockable with padlock, not provided. **NOTE:** PVC not included. Coordinate the length of the PVC with the length of conduit you'll be carrying.



Model 239...Ship Wt. 4 Lbs.

Conduit Carriers

ACCESSORY CONDUIT CARRIERS FOR LADDER RACKS ON PAGES 22-26.



- **Model 237 Aluminum Conduit Carrier** provides fully enclosed storage for conduit and pipe.
- Constructed of .063 tread plate aluminum.
- Spring up rear door makes it easy to load and unload materials.
- Unit is lockable, padlock not included, to protect material from theft.
- Fits all WEATHER GUARD® Ladder Racks.

121 1/2" Lx11" Wx6" H
Model 237...Ship Wt. 40 Lbs.



Model 238 Conduit Carrier Extension.

For slightly longer material, you'll find this 6" extension a handy item.

6" Lx11" Wx6" H
Model 238...Ship Wt. 4 Lbs.

weather guard®



WEEKENDER®

Ladder Racks



*Easy on -
easy off for
that occasional
need to carry
a ladder or
long material.*

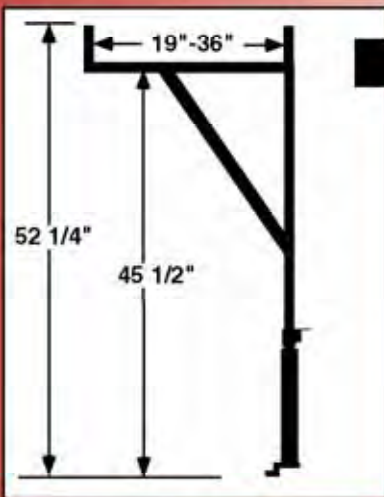


Detail of the mounting bracket.

Model 1450
WEEKENDER®
Ladder Rack on
a full size Chevy
pickup.

EXCLUSIVE FEATURES & BENEFITS

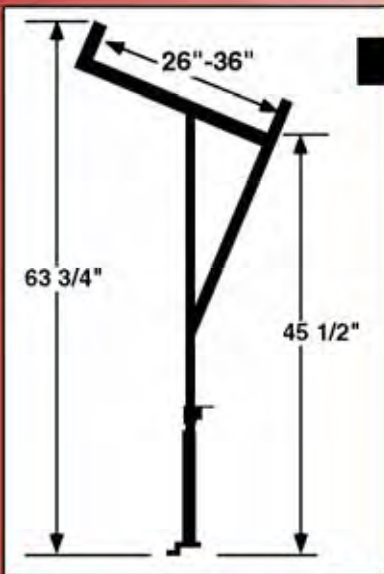
- Light duty ladder rack has a 250 lb. payload capacity.
- Ideal for the person with occasional need to carry a ladder or small quantities of long material.
- Uprights remove easily from the truck for a night out on the weekend and can easily be reinstalled for the work week ahead.
- Uprights should be removed when not in use.
- Adjustable, tubular steel pockets bolt into the side of the truck bed. A set screw holds the upright in place.
- Load bar is adjustable to accommodate the varied widths of ladders.
- Constructed of 1½" x 1½", 14 gauge wall steel tubing.
- Joints are fully arc-welded.
- Available in BLACK ARMOR-TUF™ Powder Coating.
- Available in two styles; horizontal Model 1450 and angular Model 1475.
- The distinctive, trademarked RED TIPS* assures you of WEATHER GUARD® Equipment quality.
- New mounting bracket allows WEEKENDER® Ladder Rack to be installed on driver side or curb side of truck.



Model 1450

250 Lb. Payload Capacity

Ship Wt...56 Lbs.



Model 1475

250 Lb. Payload Capacity

Ship Wt...52 Lbs.

Model 1450 and 1475 Ladder Racks Fit:
 1994 Dodge and Newer Full Size & Dakota Pickups
 1988 Chevy and Newer Full Size & Compact Pickups
 1992 Ford and Newer Full Size & Ranger Pickups



*The RED TIPS are a U.S. registered trademark of Knaack Mfg. Co.

Service Body Racks

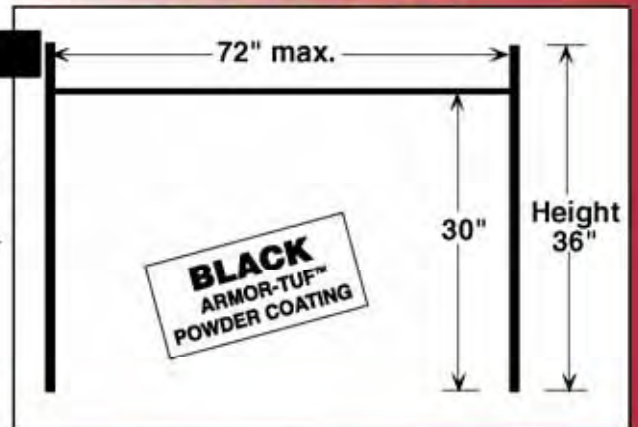
STEEL

IN STEEL & ALUMINUM!

- WEATHER GUARD® Equipment offers the same quality and durability on our **Steel Service Body Rack** as on our other field-proven racks.
- Do not mount on aluminum, plastic, fiberglass or top opening service body trucks: **Mount only on steel service bodies.**

Model 1225

For use only on full size steel service bodies.
Ship Wt...233 Lbs.



**BLACK
ARMOR-TUF™
POWDER COATING**

**1,000 POUND
LOAD CAPACITY!**



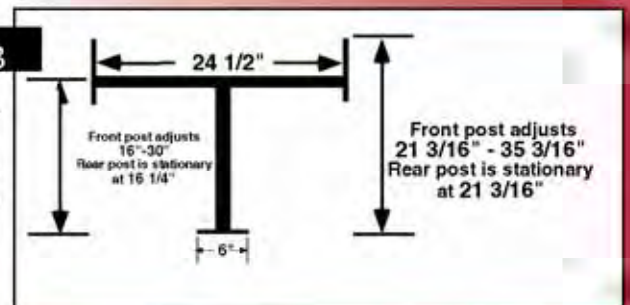
Model 1225 Service Body Rack on a full size service body pickup.

ALUMINUM

- The WEATHER GUARD® **Aluminum Service Body Rack** is designed to make loading or unloading a ladder a "one-person" job.
- Front post adjusts in height and swivels to allow for easy positioning of ladder during removal or placement.
- Back post is stationary.
- Both posts have a wide mounting base for stability.

Model 1425-3

Fits full size and compact service body trucks on both driver and passenger sides.
Ship Wt...22 Lbs.



**BRITE WHITE
POWDER
COAT FINISH**

**200 POUND
MAXIMUM LOAD
CAPACITY!**



Model 1425-3 Service Body Rack on a full size service body pickup.

Do not mount on an aluminum, plastic or fiberglass service body; mount on steel service body only.





PROTECT-A-RAIL®

Cab Protectors & Installation Kits

**PROTECT-A-RAIL® CAB PROTECTOR
CUSTOM FIT INSTALLATION KITS
NOW AVAILABLE FOR FULL SIZE
PICKUPS**

**IN STEEL &
ALUMINUM!**

- These units are designed to protect the cab of the pickup from shifting loads in the cargo area.
- Aluminum models feature a light-weight extruded aluminum frame.

**BRITE WHITE
Finish** *or*

**BLACK
ARMOR-TUF™
POWDER COATING**



On aluminum models only.

INSTALLATION KITS

**All Full Size
PROTECT-A-RAIL® Cab Protec-
tor Models Require Separate
Purchase
of Installation Kit. Each Kit
is Designed to Custom Fit Your
Vehicle**

CHEVROLET:

1999 & Newer Silverado
Model 1916-3, Model 1916-5
Ship Wt. 14 Lbs.

2000 & Older CK
Model 1914-3, Model 1914-5
Ship Wt. 13 Lbs.

Will not fit GM & Chevy 3500 HD.

DODGE:

1994 & Newer
Model 1912-3, Model 1912-5
Ship Wt. 13 Lbs.

1993 & Older Dodge
Model 1914-3, Model 1914-5
Ship Wt. 13 Lbs.

FORD:

1997 & Newer F-150
Model 1913-3, Model 1913-5
Ship Wt. 15 Lbs.

1999 & Newer Super Duty F-250/F-350
1996 & Older F-150/F-250/F-350
Model 1915-3, Model 1915-5
Ship Wt. 14 Lbs.

**CUSTOM FIT INSTALLATION KITS FEATURE A NEW MOUNTING
BRACKET THAT REQUIRES ONLY ONE HOLE IN THE FRONT RAIL
AND TWO HOLES IN THE SIDE RAIL OF THE TRUCK BED**

Note: PROTECT-A-RAIL® Cab Protectors may not fit when used with some vehicle manufacturer recommended bed reinforcing kits. Check with your dealer to see if a reinforcing kit is required. Some bed liners may require modification for use with PROTECT-A-RAIL® Cab Protector Installation kits.

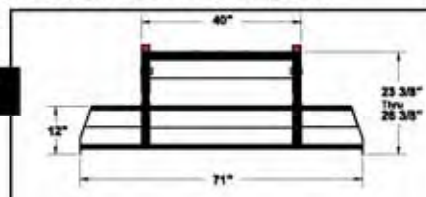
Separate purchase of installation kits required.



Heavy Duty Protect-A-Rail® Cab Protector

**FOR FULL
SIZE PICKUPS** **Model 1908**

Heavy-Duty
cab protector.
Ship Wt. 46 Lbs.



Above: Model 1908.

Accessories...For Mounting Warning Lights & Ladders



Model 1020...Ship Wt. 6 Lbs.



Model 1918...Ship Wt. 2 Lbs.



Model 1919...Ship Wt. 3 Lbs.



Model 1917...Ship Wt. 5 Lbs.

The distinctive, trademarked RED TIPS assure you of WEATHER GUARD® Equipment quality.

PROTECT-A-RAIL®

Cab Protectors



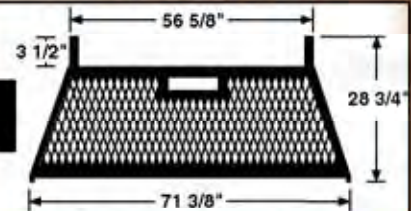
Above: Model 1906-3 with Model 1913-3 Installation Kit on a Ford full size pickup.

FOR FULL
SIZE PICKUPS

**BRITE WHITE
POWDER
COAT FINISH**

**Model 1906-3
Model 1906-5**

Punched steel
screen cab
protector.
Ship Wt. 33 Lbs.



Requires separate purchase of
Installation Kit.



Above: Model 1905 with Model 1912-5 Installation Kit on a Dodge full size pickup.

FOR FULL
SIZE PICKUPS

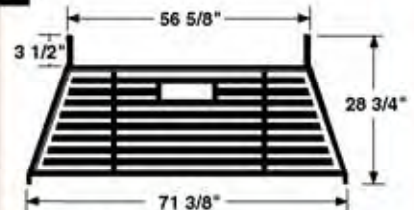
**CLEAR COAT
POWDER COAT**

Model 1905

Aluminum frame
cab protector.
Features a light
weight extruded
aluminum frame
with 14 gauge
steel louvers.

Ship Wt. 33 Lbs.

ALUMINUM



Requires separate purchase of
Installation Kit.



Above: Model 1904-3 with Model 1913-3 Installation Kit on a Ford full size pickup.

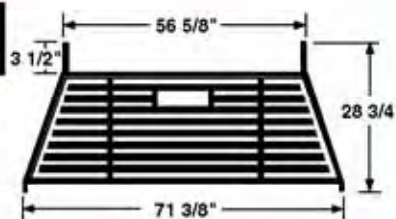
FOR FULL
SIZE PICKUPS

**BRITE WHITE
POWDER
COAT FINISH**

**Model 1904-3
Model 1904-5**

Steel louvered
cab protector.
Features a steel
frame and 14
gauge steel
louvers.

Ship Wt. 46 Lbs.



Requires separate purchase of
Installation Kit.



Above: Model 1907 with Model 1912-5 Installation Kit on a Dodge full size pickup.

FOR FULL
SIZE PICKUPS

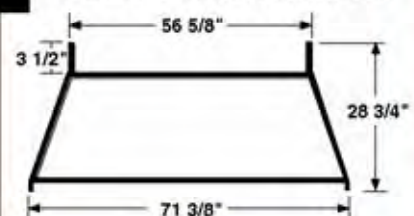
**CLEAR COAT
POWDER COAT**

Model 1907

Aluminum frame
cab protector.
Features a light
weight extruded
aluminum frame.

Ship Wt. 19 Lbs.

ALUMINUM



Requires separate purchase of
Installation Kit.



Above: Model 1910-3 on a compact pickup.

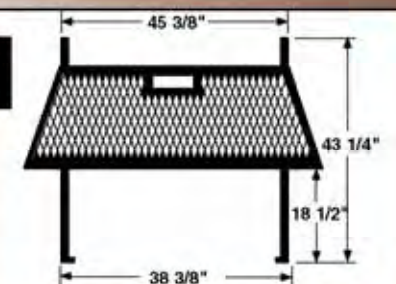
FOR
COMPACT
PICKUPS

Installation
hardware
provided.

**BRITE WHITE
POWDER
COAT FINISH**

**Model 1910-3
Model 1910-5**

Steel screen cab
protector for mini
pickups. Mounts
to the bed of a
mini pickup.



weather guard®



PACK RAT[®] Drawer Units



TOP AND SIDES OF UNIT ARE 14 GAUGE PLATE STEEL

ANTI-SKID STRIPS PREVENT SLIPPING

DRAWER CHANNELS ARE 18 GAUGE STEEL

THE TRADEMARKED RED PUSHBUTTON ASSURES YOU OF WEATHER GUARD[®] EQUIPMENT QUALITY

BRIGHT WHITE POWDER COAT FINISH INSIDE AND OUT

BOTTOM OF CABINET IS 20 GAUGE STEEL REINFORCED WITH FULL LENGTH 12 GAUGE STEEL SKIDS



Removable roller bearings provide trouble free operation.



For ease of maintenance, drawers are completely removable.

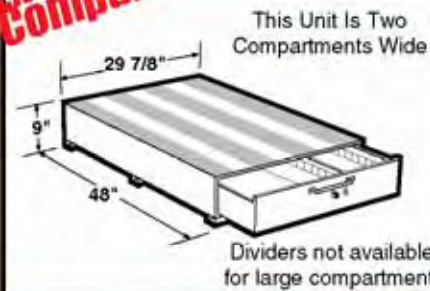
DRAWERS HAVE A 425 LB. LOAD RATING

FULLY WEATHER STRIPPED

FRONT AND BOTTOM OF DRAWER IS 12 GAUGE STEEL

- Low-profile provides concealed and secure storage for heavy items without greatly reducing truck bed area.
- Reinforced construction allows material to be loaded on top of unit.
- Drawer compartments are approximately 9 3/4" wide and can be divided.
- ONE-TOUCH Latch System allows easy, one-hand operation.
- The smooth gliding roll-out drawer puts frequently needed items within easy reach without the need to climb up onto the truck bed.
- Drawers are weather stripped and each drawer has a load rating of 425 lbs. evenly distributed.

Extra Wide Compartment

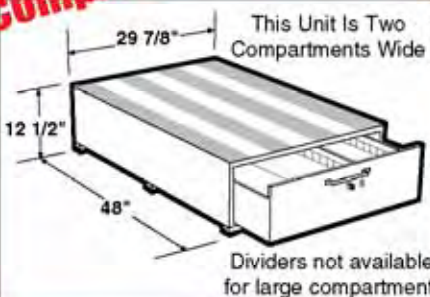


Model 304-3

Smaller Drawer Compartment Measures: 9.75"W x 45"L x 5"D
Larger Drawer Compartment Measures: 19.5"W x 45"L x 5"D

Includes 5 dividers
Ship Wt...220 Lbs.

Extra Wide Compartment



Model 334-3

Smaller Drawer Compartment Measures: 9.75"W x 45"L x 8.5"D
Larger Drawer Compartment Measures: 19.5"W x 45"L x 8.5"D

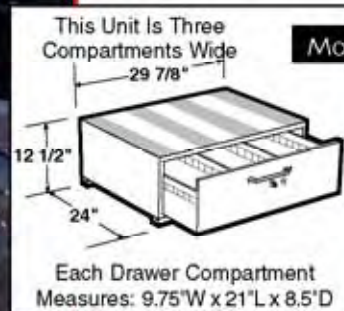
Includes 5 dividers
Ship Wt...245 Lbs.



Model 304-3 mounted on a Chevy S-10 pickup.

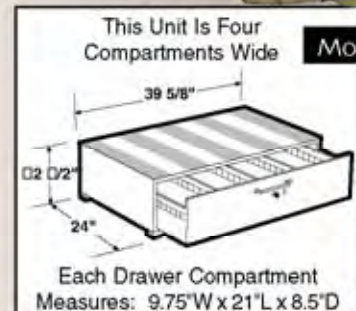
PACK RAT[®] Drawer Units

NOTE: Since the PACK RAT[®] Drawer Unit is designed for heavy loads, it must be mounted properly. All mounting brackets and blind fasteners must be used. Failure to mount these units correctly could cause property damage or personal injury.



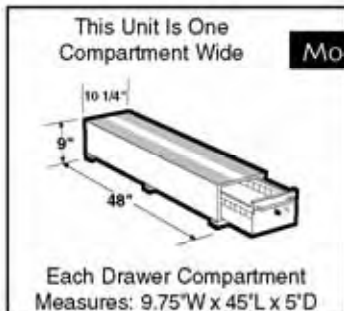
Model 301-3

Includes 10 dividers
Ship Wt...169 lbs.



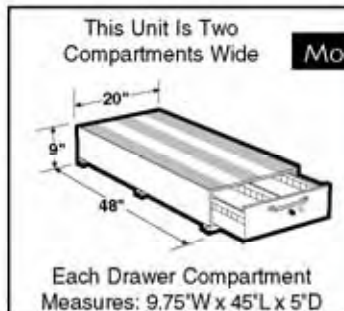
Model 303-3

Includes 13 dividers
Ship Wt...217 Lbs.



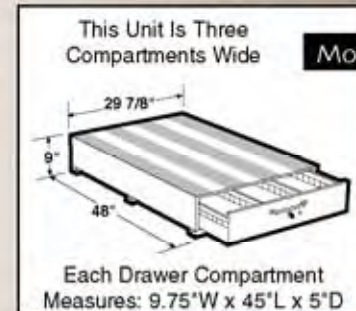
Model 305-3

Includes 7 dividers
Ship Wt...106 Lbs.



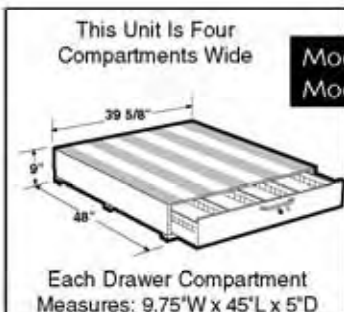
Model 306-3

Includes 13 dividers
Ship Wt...179 Lbs.



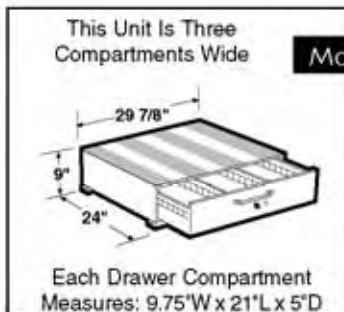
Model 307-3

Includes 19 dividers
Ship Wt...247 Lbs.



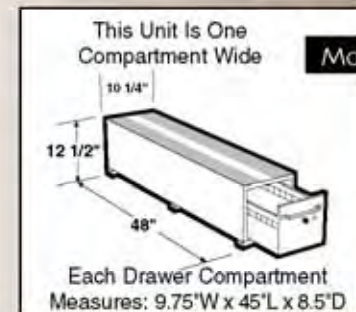
Model 308-3
Model 308-5

Includes 25 dividers
Ship Wt...322 Lbs.



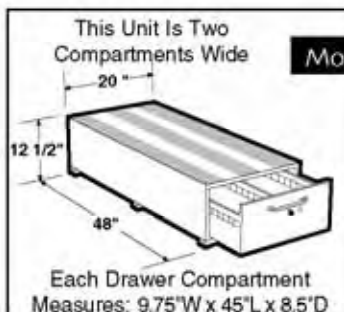
Model 312-3

Includes 9 dividers
Ship Wt...151 Lbs.



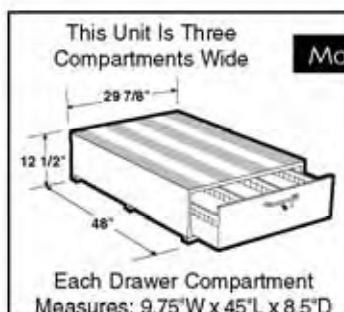
Model 335-3

Includes 7 dividers
Ship Wt...130 Lbs.



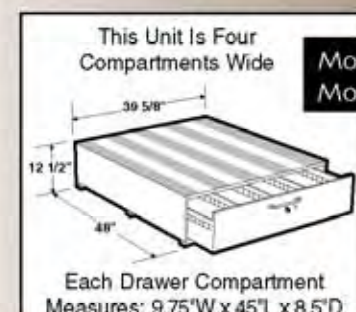
Model 336-3

Includes 13 dividers
Ship Wt...210 Lbs.



Model 337-3

Includes 19 dividers
Ship Wt...294 Lbs.



Model 338-3
Model 338-5

Includes 25 dividers
Ship Wt...383 Lbs.

DIVIDER ACCESSORIES	
Model 300 for 304-3, 305-3, 306-3, 307-3, 308-3, 312-3.....	6 per set .4 Lbs.
Model 302 for 301-3, 303-3, 334-3, 335-3, 336-3, 337-3, 338-3...	6 per set .6 Lbs.





BED RAT® Sliding Platforms



The BED RAT® Sliding Platform consists of a set of sliding rails mounted on heavy duty ball bearing rollers. The base set of rails mounts to the bed of your pickup and the deck rails are outfitted with a sheet of 3/4" plywood that you supply, and cut to the proper size to fit the pickup bed.



BASE AND DECK RAILS ARE SPECIALLY ENGINEERED ALUMINUM EXTRUSIONS THAT MAXIMIZE OVERALL LOAD CARRYING CAPABILITIES WHILE KEEPING THE WEIGHT TO A MINIMUM

CONVENIENT RELEASE HANDLE PROVIDES EASY ONE HANDED OPERATION WITH BUILT IN STOPS AT SEVERAL POINTS THAT KEEP THE BED RAT® SLIDING PLATFORM FROM INADVERTENTLY ROLLING OUT ALL THE WAY

STEEL 10" HIGH SIDE AND BACK PANELS WHICH HAVE THE BRITISH WHITE FINISH ARE INCLUDED TO KEEP MATERIALS FROM ROLLING OFF THE DECK DURING TRANSIT

All necessary hardware, including the 10" high steel side and back panels are included.

Once installed in your pickup with a bed cap, the BED RAT® Sliding Platform will provide instant access to tools and materials without having to crawl in and out of your truck. It allows you to easily position materials inside your vehicle for maximum loadability.

- BED RAT® Sliding Platforms come in three sizes to conveniently fit the type of work you do. Pick the model you want and cut the decking material to fit the width of your pickup bed.
- Rails are mounted on heavy duty ball bearing rollers that have been vibration tested for maximum loadability.
- Total load capacity with weight evenly distributed is 750 lbs.
- Features a full 70% extension.
- Decking material is not included. 3/4" plywood is recommended.
- Models available to fit full size and compact pickups.

ON THE JOBSITE...

- Easy access to a convenient roll away work surface.
- BED RAT® Sliding Platform may be used as a handy portable work surface to which you can mount heavy tools and equipment.

The BED RAT® Sliding Platform "slides" out for easy access and use as a work surface.

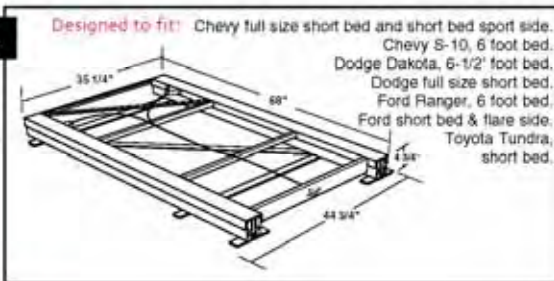


Model 3200 BED RAT Sliding Platform is shown being used as a work surface on a full size pickup with cap.

FOR FULL SIZE & COMPACT PICKUPS!

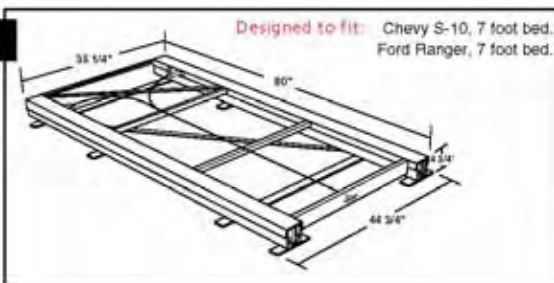
Model 3200

Ship Wt...123 Lbs.



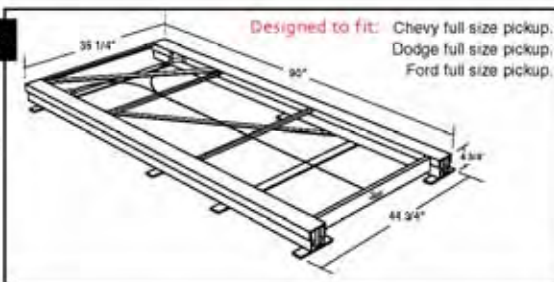
Model 3300

Ship Wt...141 Lbs.



Model 3400

Ship Wt...155 Lbs.



MAKING DELIVERIES...

- Easy access to a large inventory of tools and cargo.
- BED RAT Sliding Platform allows for less rummaging through a fully loaded truck to find that one special package or material.
- Allows for loading and unloading skidded materials with a fork lift as long as you don't exceed the evenly distributed, 750 lb. max. load rating.



Model 3200 BED RAT Sliding Platform is shown being mounted in the bed of a full size pickup with a cap.

Lightweight
With Proven
Durability!

NOTE: BED RAT Sliding Platform can be used in combination with low profile truck boxes. Simply trim the side rails approximately 3".

ALUMINUM

Transfer Tanks

HANDY LIFTING
LOOPS AID
INSTALLATION

Model 354-3

Warning: Transfer Tanks must not be connected to a vehicle's fuel system as an auxiliary fuel tank. Transfer Tanks may not meet certain governmental or state regulations and are not intended for use in fueling aircraft.

Transfer Tank and pump must be grounded to prevent static charge buildup.

Transfer Tanks are not designed to transport flammables, such as gasoline.



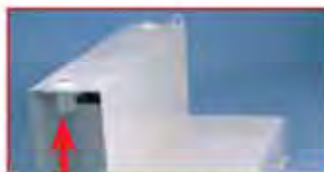
PLATE STEEL FLANGES PROVIDE
SECURE MOUNTING POINT

FULL ARC-WELD
CONSTRUCTION
PRESSURE TESTED

- Designed to transport diesel fuel only.
- Constructed of heavy 14 gauge steel.
- Tanks should be used with filtered pumps.
- One vented cap is provided with each tank.
- 2" I.D. filler neck is threaded to accept std. 2" threaded pipe.
- Mounting hardware is included.
- Exterior of tanks are protected with Brite White powder Coat Finish.



TRANSFER TANKS FIT
WITH MOST BED LINERS
AND WEATHER GUARD®
CROSS AND SADDLE
BOXES



Fill tube is reinforced. Its length prevents tank from being filled 100% to allow for expansion.



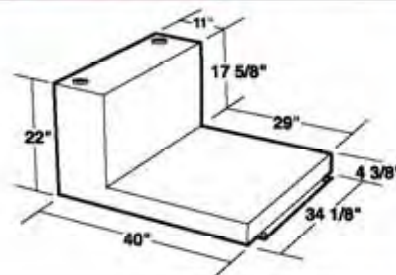
Interior baffles prevent fuel sloshing and provide extra reinforcing.

The inside of the tank is not powder coated. Photos are intended to demonstrate construction features only.

Model 350-3

47 Gal. Capacity
Ship Wt...134 Lbs.

For compact pickups.
May be used
in combination with
WEATHER GUARD®
Cross and Saddle
Boxes.



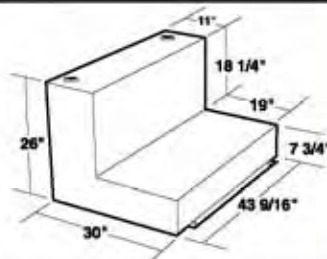
Model 352-3

70 Gal. Capacity
Ship Wt...165 Lbs.

For full size short bed
pickups, Dodge Dakota
and Toyota Tundra.

*May be used in
combination with
WEATHER GUARD®
Cross and Saddle
Boxes.

NOTE: Box
must be
installed first,
then install
the transfer
tank back-
wards.

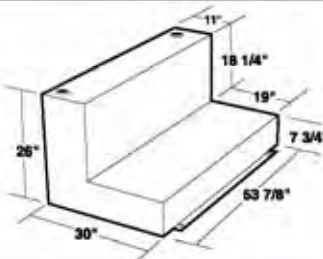


Model 354-3

88 Gal. Capacity
Ship Wt...186 Lbs.

For full size pickups.
May be used in combina-
tion with
WEATHER GUARD®
Cross and Saddle
Boxes. Will not fit '99
Chevy GM
short bed and Toyota
Tundra short bed.

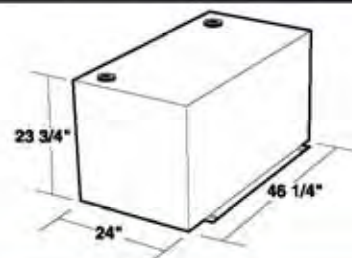
Will not fit '99
Ford Super Duty
with a Model
116-3-01 or
116-5-01 Saddle
Box.



Model 358-3

100 Gal. Capacity
Ship Wt...160 Lbs.

For full size
pickups.



ACCESSORIES

Replacement Filler Cap



Model 355
Ship Wt. 2 Lbs.

Manual Transfer Pump

Includes pump, 8 ft. hose and nozzle. UL tested and FM approved. 20 Gallons per 100 strokes transfer capacity.



Model 356
Ship Wt. 19 Lbs.

Electric (12v) Transfer Pump

Includes pump, 12 ft. hose and nozzle. UL Listed. 20 gallons per minute transfer capacity.



Model 357
Ship Wt. 41 Lbs.

*Models 124-0-01, 124-5-01, 125-3-01, 125-5-01, 126-3-01, 126-5-01-01, 127-0-01 and 127-5-01.

DESIGNED TO TRANSPORT
DIESEL FUEL ONLY



DISTRIBUTED BY:

Do you work out of a van?

**CALL FOR A FREE
WEATHER GUARD® VAN
EQUIPMENT CATALOG.**



DO NOT use these products for storing or transporting flammables, explosives, hazardous materials or waste, such as gasoline, solvents, gun powder, dynamite, gases or any tanks, torches or gas powered equipment. These products are intended and safe for storing and transporting small tools and other non-combustible, non-flammable materials. Any modification made to, or unintended use of, these products may create a dangerous condition causing death, serious bodily injury or property damage.

NOTICE

Any modification or unintended use of these products shall immediately void all manufacturers warranties. Manufacturer disclaims all liability for injuries to persons or property resulting from any modification to, or unintended use of these products.

Designs are subject to change without notice. KNAACK, WEATHER GUARD, PACK RAT, ITEMIZER, RED TIPS on Ladder Racks, BED RAT, RED PUSHBUTTON on storage units, WEEKENDER, PROTECT-A-RAIL, WATCHMAN and FAST RACK are U.S. registered trademarks of Knaack Manufacturing Company. KNAACK, WEATHER GUARD, and PACK RAT are U.S. registered trademarks of Knaack Mfg. Co. in Canada and the U.K. KNAACK, WATCHMAN and WEATHER GUARD are U.S. registered trademarks of Knaack Mfg. Co. in Australia and New Zealand. All rights reserved. WEATHER GUARD® Products are protected by one or more of the following patents: U.S. 5145087, 5308126, 4509787, 4573731, 4618083, D-346355, D-346994, D-353574; Canada 1218968, 1224230, 1235100 and; U.K. 2233036. Other patents pending.

For U.S. Terms and Conditions of Sale please reference form number 78-1117. For Canadian Terms and Conditions of Sale please reference form number 78-1145.

weather guard.


EMERSON
Professional Tools